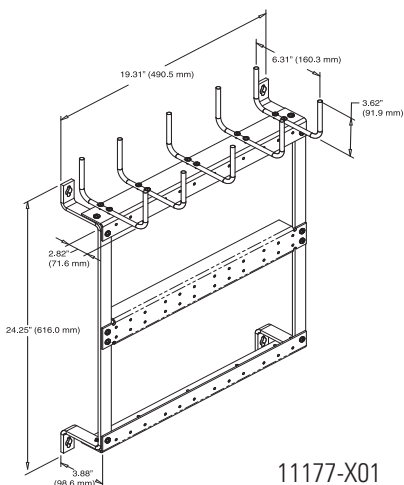


## 66 Block Mounting Brackets

Used to organize and manage 66 blocks at one convenient location. Includes U-shaped cable loops to route jumper cables between blocks.

- 19" Mounting Bracket: 8 blocks (2 rows of 4), 400 pair, 5 cable loops
- 35" Mounting Bracket: 18 blocks (2 rows of 9), 900 pair, 10 cable loops
- Mounting hardware not included



11177-X01

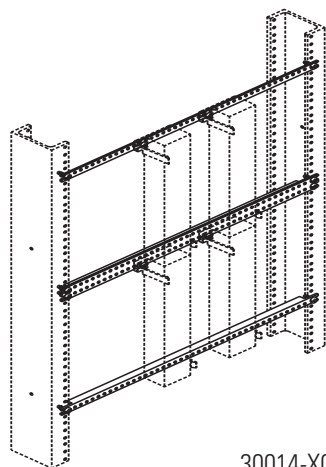
| Part Number | Description          | Shipping Weight lb (kg) |
|-------------|----------------------|-------------------------|
| 11177-X01   | 19" Mounting Bracket | 2 (0.9)                 |
| 11188-X01   | 35" Mounting Bracket | 2 (0.9)                 |

X=color: 1=Gray, 2=White, 5=Clear, 7=Black

## Block Mounting Bar, Rack-Mounted

For mounting terminal blocks, card files and other equipment on 19" and 23" racks.

- Angle mounting bars are 1/8" (3.18 mm) cold-rolled steel
- T-mounting bars are 1/8" (3.18 mm) extruded aluminum
- Hole patterns are 12-24 tapped on 7/16" (11.113 mm) centers
- Supports 66/89 Blocks, sold individually



30014-X00

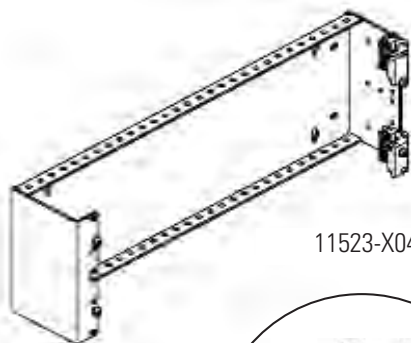
| Part Number | Description | Shipping Weight lb (kg) |
|-------------|-------------|-------------------------|
| 30013-X00   | 19" Angle   | 2 (0.9)                 |
| 30014-X00   | 23" Angle   | 2 (0.9)                 |
| 30015-X00   | 19" T-Bar   | 2 (0.9)                 |
| 30016-X00   | 23" T-Bar   | 2 (0.9)                 |

X=color: 1=Gray, 2=White, 5=Clear, 7=Black

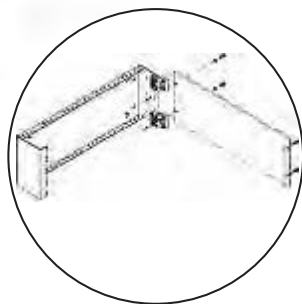
## Hinged Panel Mounting Bracket

Provides easy access to back of wall or rack-mounted panels.

- Can be mounted to open left or right
- Available in 2, 3, 4, 5 or 6 mounting space, 1.75"H (44.45 mm), 4" or 8"D (100 mm or 200 mm) and 19"W
- Mounting hardware not included, supports up to 30 lb (13.6 kg) load



11523-X04



| Part Number | Description                         | Shipping Weight lb (kg) |
|-------------|-------------------------------------|-------------------------|
| 11521-X04   | 3.50 (88.9), 2U High, 4 (100) Deep  | 2 (0.9)                 |
| 11522-X04   | 5.25 (133.4), 3U High, 4 (100) Deep | 2 (0.9)                 |
| 11523-X04   | 7.00 (177.8), 4U High, 4 (100) Deep | 2 (0.9)                 |
| 11524-X04   | 8.75 (222.3), 5U High, 4 (100) Deep | 2 (0.9)                 |
| 11525-X04   | 10.5 (267.0), 6U High, 4 (100) Deep | 2 (0.9)                 |

X=color: 1=Gray, 2=White, 5=Clear, 7=Black. Also available in 8" (200 mm) H (-X08)