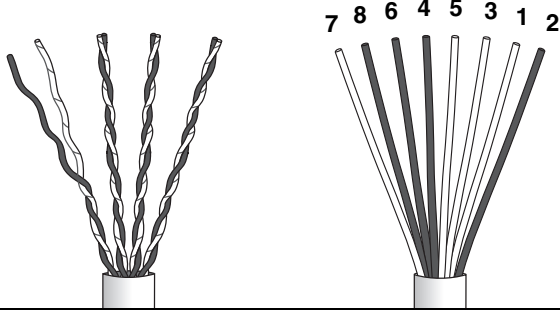


## TERMINATION

- 1** Remove all but one twist per pair, smooth conductors and arrange in proper color sequence.

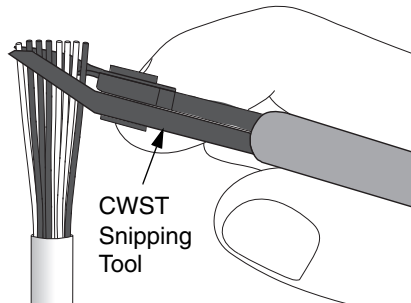


### MINI-COM MINI-JACK Color-Coded Wire Positions

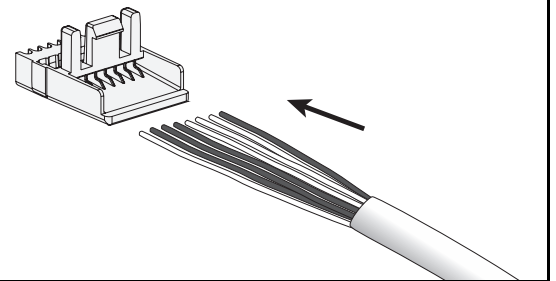
Part Numbers - CJ588**Y, CJ5E88**Y, CJD588**Y					
T568A			T568B		
2	GREEN	R3	2	ORANGE	R2
1	WHITE/GREEN	T3	1	WHITE/ORANGE	T2
3	WHITE/ORANGE	T2	3	WHITE/GREEN	T3
5	WHITE/BLUE	T1	5	WHITE/BLUE	T1
4	BLUE	R1	4	BLUE	R1
6	ORANGE	R2	6	GREEN	R3
8	BROWN	R4	8	BROWN	R4
7	WHITE/BROWN	T4	7	WHITE/BROWN	T4

See Page 2 for CJ64/66/88 Series Wiring Sequences

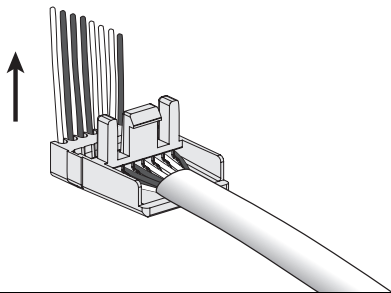
**2**



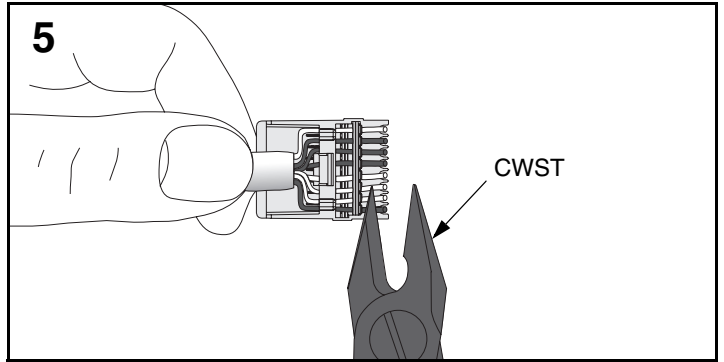
**3**



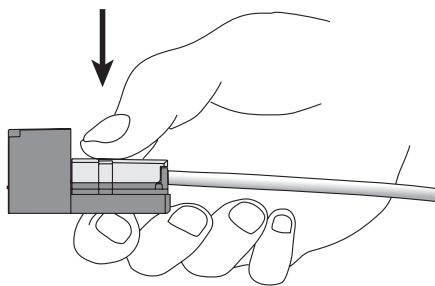
**4**



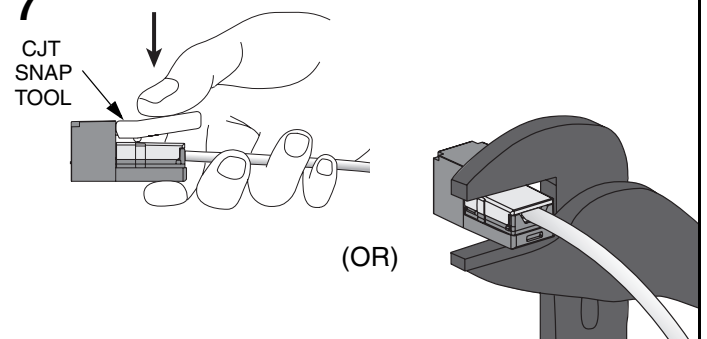
**5**



**6**

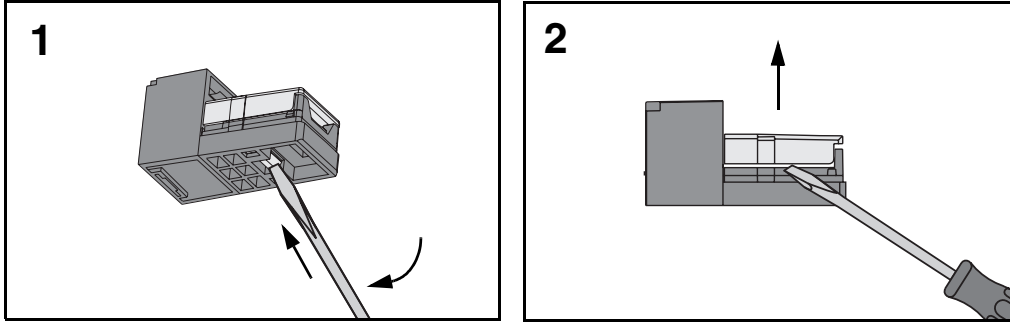


**7**



\*\* Denotes color.

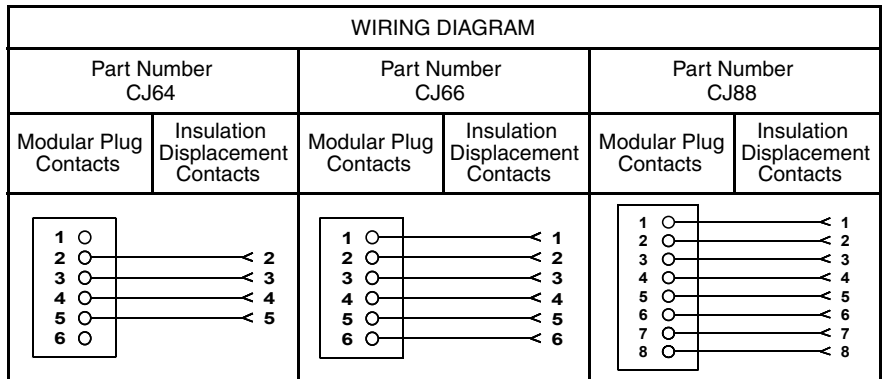
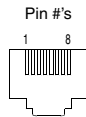
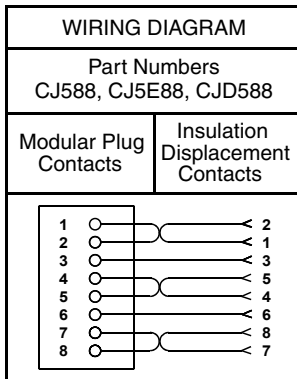
**TERMINATION CAP REMOVAL**



**CATEGORY 3 MINI-JACK CJ64/66/88 SERIES WIRING SEQUENCES**

10 Base-T	EIA/TIA 568A, ISDN	USOC 4-Wire (8 Pin Jack)	RJ45, USOC 8-Wire	EIA/TIA 568B, AT&T 258A, WECO	USOC 4-Wire, in 6 pin	USOC 6-Wire (8 Pin Jack)	USOC, RJ11/RJ25
1 WHT/GRN T3	1 WHT/GRN T3	1 NC NC	1 BRN R4	1 WHT/ORG T2	1 WHT/ORG T2	1 NC NC	1 WHT/GRN T3
2 GRN R3	2 GRN R3	2 NC NC	2 WHT/GRN T3	2 ORG R2	2 WHT/ORG T2	2 WHT/GRN T3	2 WHT/ORG T2
3 WHT/BRN T4	3 WHT/ORG T2	3 WHT/ORG T2	3 WHT/ORG T2	3 WHT/GRN T3	3 BLU R1	3 WHT/ORG T2	3 BLU R1
4 NC NC	4 BLU R1	4 BLU R1	4 BLU R1	4 BLU R1	4 WHT/BLU T1	4 BLU R1	4 WHT/BLU T1
5 NC NC	5 WHT/BLU T1	5 WHT/BLU T1	5 WHT/BLU T1	5 WHT/BLU T1	5 ORG R2	5 WHT/BLU T1	5 ORG R2
6 BRN R4	6 ORG R2	6 ORG R2	6 ORG R2	6 GRN R3	6	6 ORG R2	6 GRN R3
7 NC NC	7 WHT/BRN T4	7 NC NC	7 GRN R3	7 WHT/BRN T4		7 GRN R3	7 GRN R3
8 NC NC	8 BRN R4	8 NC NC	8 WHT/BRN T4	8 BRN R4		8 NC NC	8 NC NC

**WIRING DIAGRAMS FOR CJ588, CJ5E88, CJD588, CJ64/66/88 SERIES**



**Notes:**

- For specified performance, follow TIA/EIA 568-B installation guidelines.
- Jack Modules can terminate PVC or Plenum rated 22-24 AWG solid or stranded IWC cable with 0.048 inch (1.2 mm) maximum insulated conductor outside diameter.
- Jack Modules may be re-terminated a minimum of 10 times.
- For technical and performance information, consult *PANDUIT* Technical Support.
- MUJJC588 Jack Modules suit a standard switch mechanism pattern on various Australian faceplates.
- For *MINI-COM MINI-JACK* Shielded Jack Module instructions, refer to PN348\*.

**As with all Wiring Accessories, the following statements apply:**

- Never install communications wiring during a lightning storm.
- Never install communications wiring in wet locations unless the jack is specifically designed for use in wet locations.
- Never touch uninsulated communications wiring or terminals unless the communication line has been disconnected at the network interface.
- Use caution when installing or modifying communication wiring.



For Instructions in Local Languages and Technical Support:

[www.panduit.com/resources/install\\_maintain.asp](http://www.panduit.com/resources/install_maintain.asp)



[www.panduit.com](http://www.panduit.com)

E-mail:  
cs@panduit.com

Fax:  
(708) 444-6993