

PN285 INSTALLATION INSTRUCTIONS

© Panduit Corp. 2002

Printed in U.S.A.

List of Components:

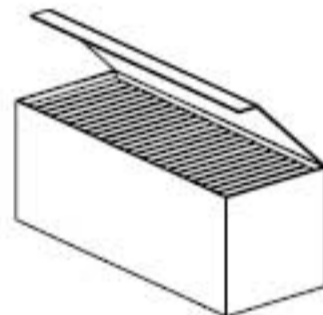
- (2) Keyed Wing Locks
- (12) #12-14 screws
- (1) Set of two keys
- (1) Filter
- (2) Foam Kits
- (2) Intake/Exhaust Port Covers



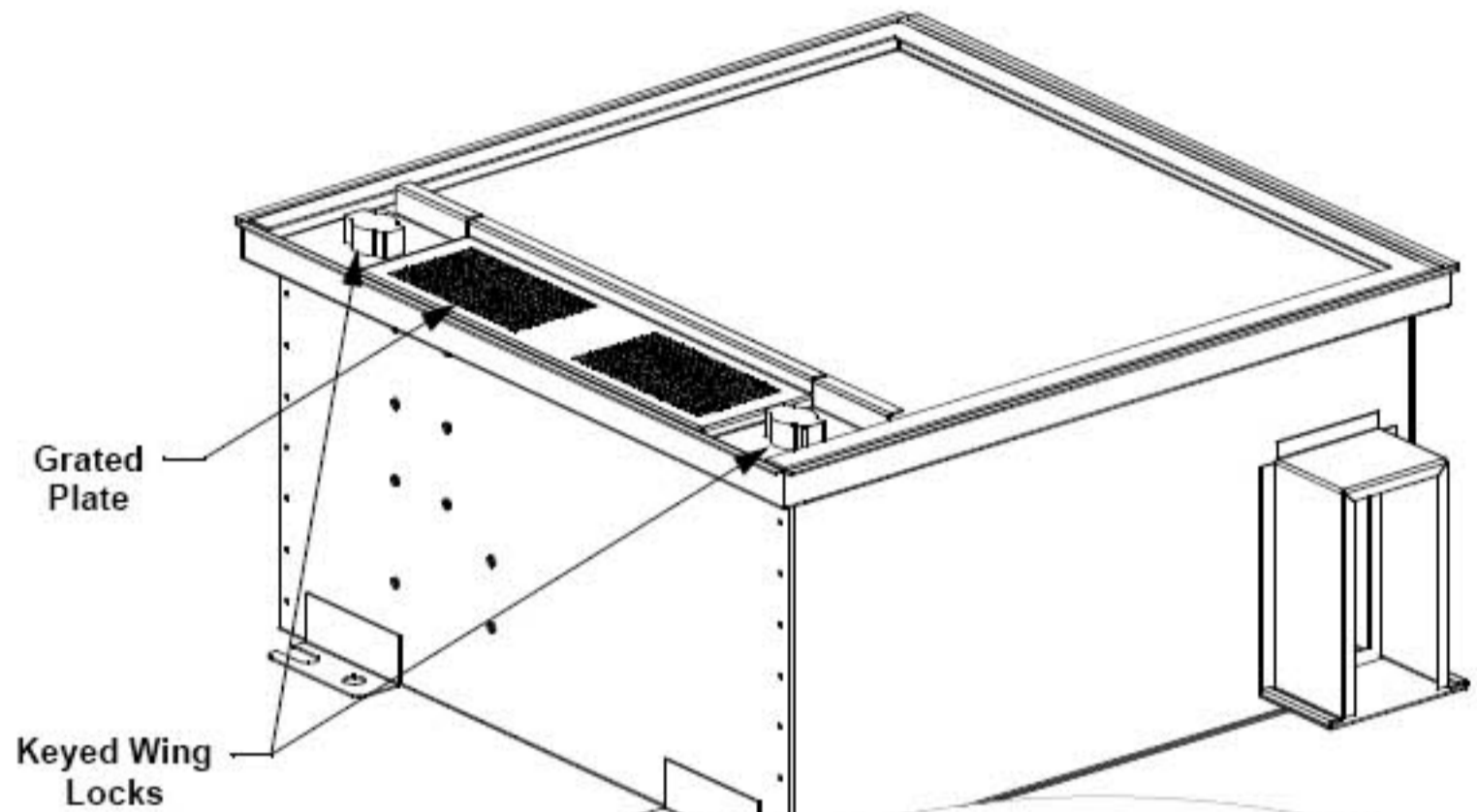
Set of two keys



Filter



Foam Kit (2)



CICZC2X2

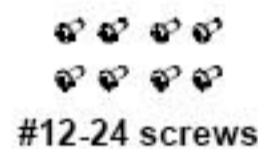
Sold by:



TWAcomm.com
<http://www.TWAcomm.com>
 Toll Free: (877) 892-2666

List of Components:

- (1) Left Bracket
- (1) Right Bracket
- (8) #12-24 screws



CICZCBRKT
(Sold separately)



Left Bracket



Right Bracket

PRECAUTIONS: (Read completely before installing enclosure)

1. The ceiling tile rails are designed to hold the ceiling tile in place before and after installation of enclosure. No weight from the enclosure should rest on the ceiling tile frame.
2. The enclosure is a termination/distribution/consolidation access point for low voltage communication applications within a ceiling grid system.
3. The ceiling tile grid system must be installed prior to the installation of this cabinet. This cabinet is designed to be hung from (4) 3/8" threaded rods attached to the building structure, or standard construction grade suspension wire and hardware, in accordance with local building codes.
5. All items, which may be loose, should be removed from the enclosure before attempting installation.