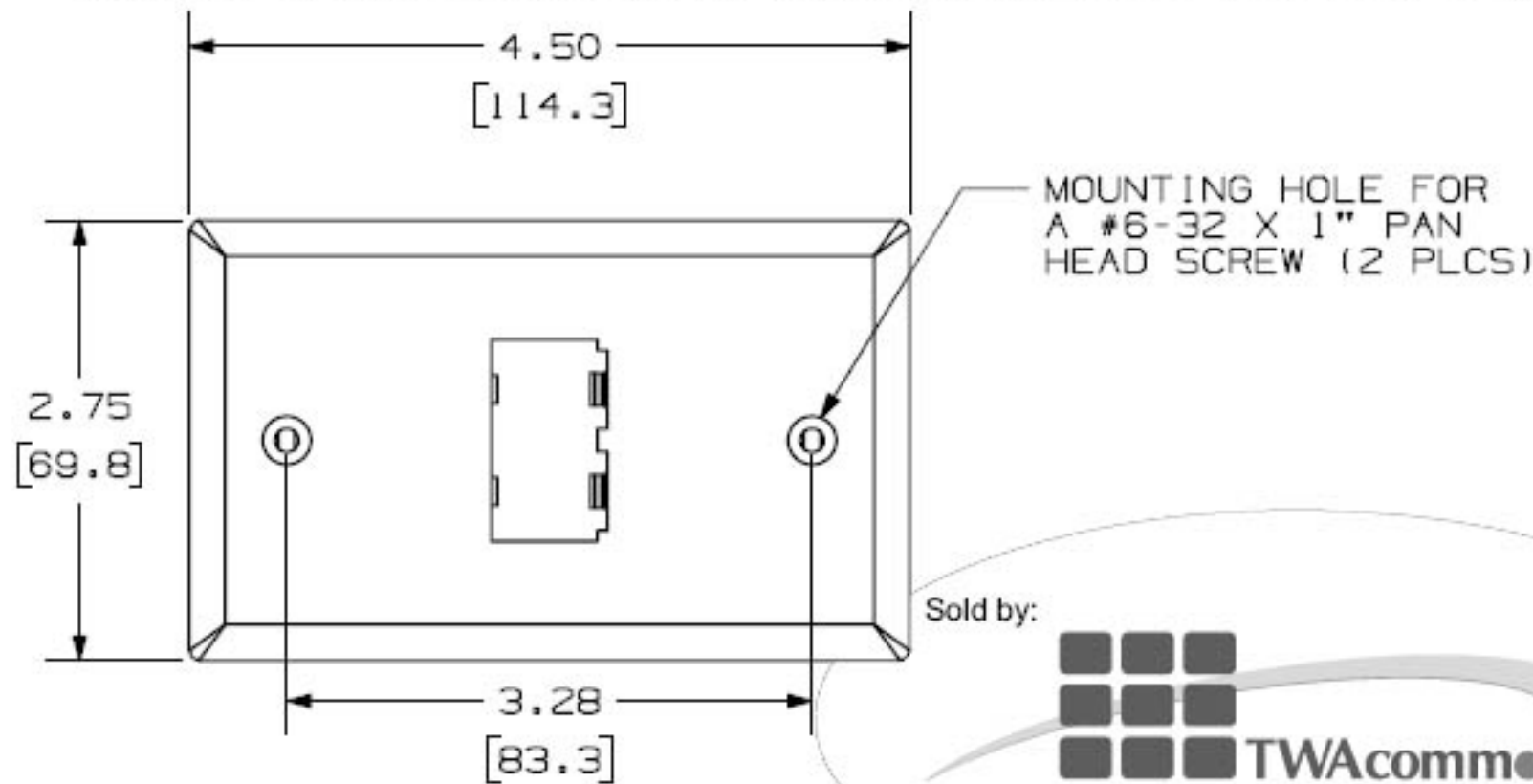


THIS COPY IS PROVIDED ON A RESTRICTED BASIS AND IS NOT TO BE USED IN ANY WAY DETRIMENTAL TO THE INTERESTS OF PANDUIT CORP.



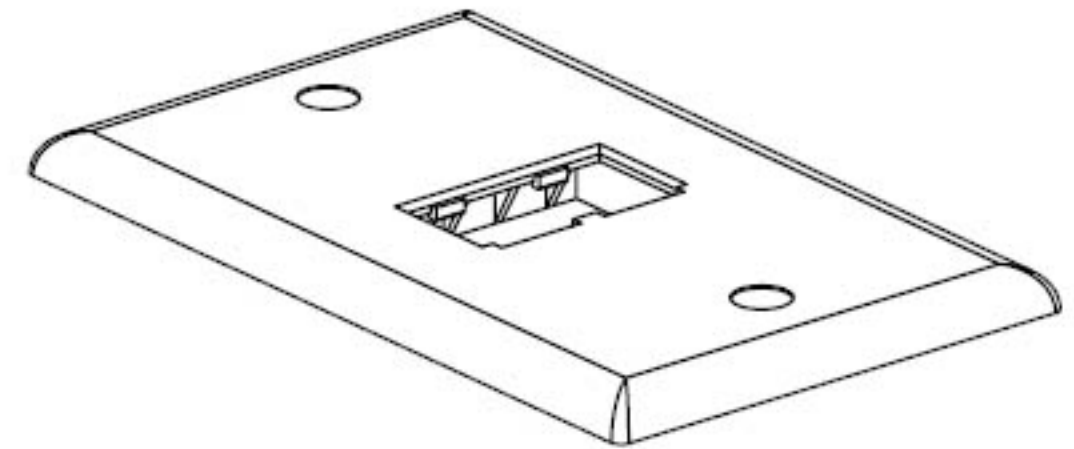
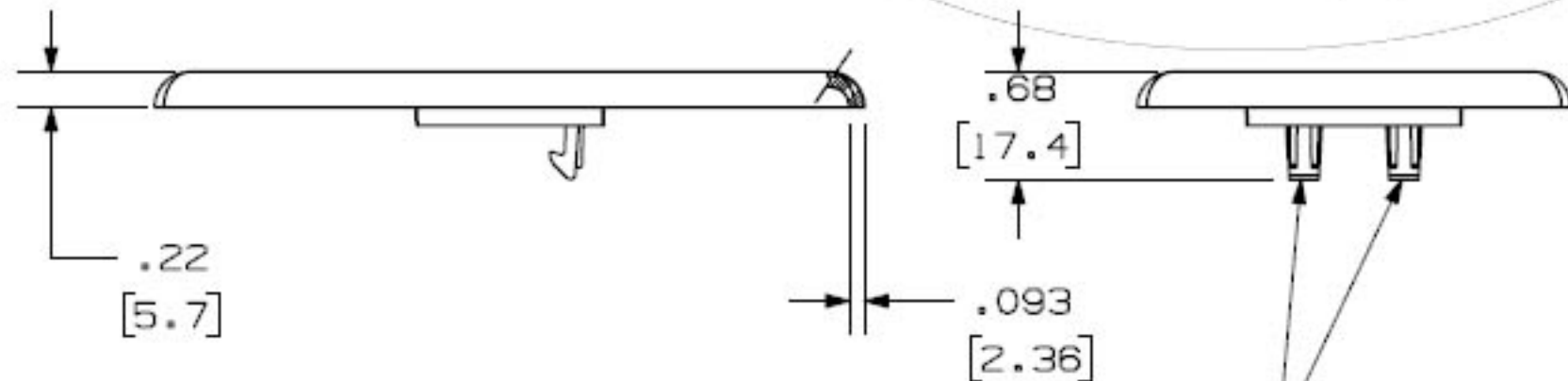
PANDUIT PART NO.	WEIGHT
CFP2**	.47 LB/10 PCS (212 G/10 PCS)

- NOTES:
- \*\* 1. SEE CURRENT CATALOG FOR ADDITIONAL PART NUMBER SUFFIXES TO INDICATE COLOR AND OR PACKAGE QUANTITY.
  - 2. TWO #6-32 X 1" LONG, SLOTTED PAN HEAD SCREWS WITH NON-THREADED LEAD POINT PROVIDED FOR FASTENING FACEPLATES.
  - 3. DIMENSIONS IN PARENTHESES ARE IN METRIC.

Sold by:



**TWAcomm.com**  
<http://www.TWAcomm.com>  
 Toll Free: (877) 892-2666



CAD FILENAME/LAYERS D35544CP\_DC\_CFP2\_00D.PRT

**PANDUIT** CORP. TINLEY PARK, ILLINOIS

CLASSIC SERIES 2 POSITION VERTICAL FACEPLATE (CFP2\*\*) CUSTOMER DRAWING

REV	DATE	BY	CHK	DESCRIPTION	ECN	R	CUST	SUP
3	7-13-99	JsP		C. WAS "DESIGNER SERIES".	35544-39			
2	9-17-97	JBA	CEF	B. REV'D P/N IN TITLE: WAS CFP2**.	35544-39	CEF		
1	9-12-97	RCA	CEF	A. REV'D TITLE: WAS MINI-COM 2 POSITION STANDARD VERTICLA FACEPLATE.	35544-39	CEF		
R	4-3-97	RCA	HIW	RELEASED TO PRODUCTION	35544-39	HIW		

UNLESS OTHERWISE SPECIFIED, DIMENSIONAL TOLERANCES ARE: (.X) ± (.XXX) ±.010(.3) (.XX) ±.03(.8) ANGLES ±		UNLESS OTHERWISE SPECIFIED, ALL DIMENSIONS ARE GIVEN IN INCHES, THIRD ANGLE PROJECTION.	
DRAWN BY RCA	MAT'L: ABS	SCALE NONE	
DATE 4-3-97		DRAWING NO. 35544-39	DWG A SIZE
CHK'D HIW			