

Wireless Access Point Enclosures

Wireless Access Point Enclosures

APPLICATION

Leviton's Wireless Access Point Enclosures are designed to accommodate wireless telecommunications equipment, including most wireless access points and bridges. Enclosures are available in ceiling mount and wall mount styles and are compatible with wireless equipment from a variety of manufacturers. For the 5" and 10" models, various door faceplates are sold separately to accommodate different wireless access point configurations.

FEATURES

Ceiling Mount Enclosures:

- Mount into standard 2' x 2' ceiling tiles
- Included mounting plate accommodates a wide variety of wireless telecommunications equipment, including most standard wireless access points
- Door is fully hinged and lockable
- Painted white to blend with ceiling tiles
- Plenum-rated and UL listed
- Edge-protected cable access port includes a fire-rated foam sealing kit
- 5", 10" enclosures fit various replacement doors (sold separately) to accommodate wireless access points from Leviton and other manufacturers

Wall Mount Enclosures:

- Constructed of rugged steel
- Inside space accommodates the Cisco Aironet™ 350 or equivalent equipment sized 9.5" x 6.5" x 2.75"
- Door is fully hinged and lockable

STANDARDS COMPLIANCE

UL Listed - Communications Circuit Accessory

PHYSICAL SPECIFICATIONS

Weights & Dimensions

- 10" Ceiling Mount: 8 lbs / 10.50" W x 13.14" H x 10.0" D
- 5" Ceiling Mount: 8 lbs / 10.50" W x 13.14" H x 5.0" D
- 4" Ceiling Mount: 5 lbs / 11.18" W x 8.50" H x 4.0" D
- Wall Mount: 9 lbs / 9.5" W x 11.25" H x 3.375" D

Materials

Ceiling mount enclosures are manufactured of .060" thick sheet aluminum with riveted construction. Wall mount enclosures are manufactured of steel. Foam sealing kit is poly chloroprene latex compound.



WARRANTY INFORMATION

For a copy of Leviton product warranties, log on to www.levitonvoicedata.com/warranty.

TYPICAL SPECIFICATION

Wireless Access Point Enclosures shall be constructed of aluminum or steel (wallmount), and shall be lockable, and UL listed. Cable access ports shall be edge protected. Enclosures shall accommodate a variety of standard wireless access points.

Ceiling mount enclosures shall be plenum rated and suitable for installation in standard drop ceilings. Various replacement door faceplates are sold separately to fit 5" and 10" enclosures.

Wall mount enclosure shall include hardware suitable for hollow concrete block, concrete, plaster or wallboard.

ELECTRONIC FILES

For CAD files, Typical Specs, or Dimensional Line Art (.DXF, .DWG, MS-DOS.eps or .TXT), log on to www.levitonvoicedata.com.



For Technical Support Call 1-425-485-4288; in USA call 1-800-824-3005.
Spec sheets and updates are also available at www.levitonvoicedata.com.

2222 - 222nd St. SE • Bothell, WA 98021 USA
Tel: 1-800-722-2082 / 1-425-485-4288 • Fax: 1-425-483-5270 • Int'l Fax: 1-425-485-9170 • GSA Schedule Available.

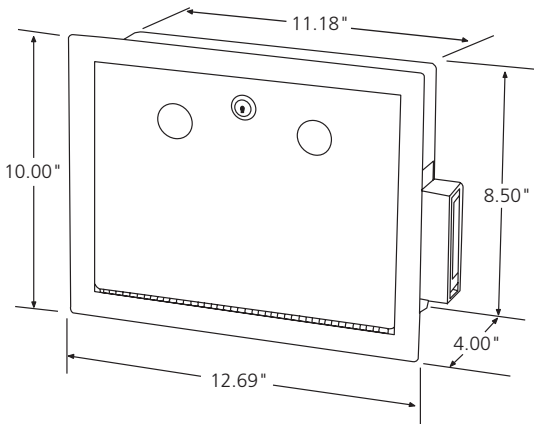


Wireless Access Point Enclosures

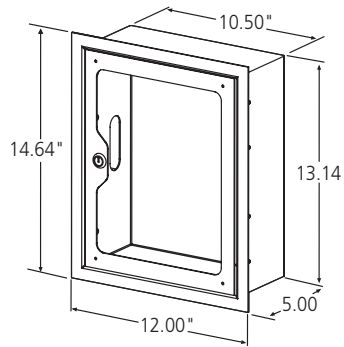
Part Numbers
 W1000-WCE W1000-WCO
 W1000-WWO W1000-WC5

DIMENSIONAL LINE ART

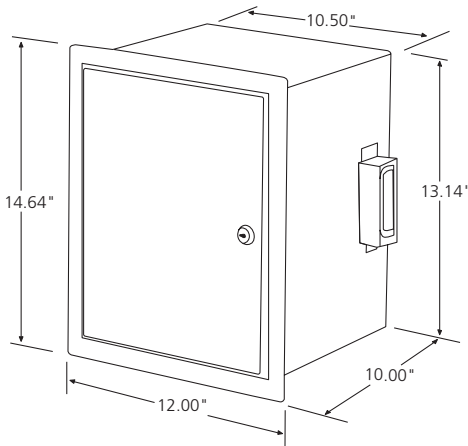
For Dimensional Line Art (.DXF, .DWG, MS-DOS.eps or .TXT), log on to www.levitonvoicedata.com.



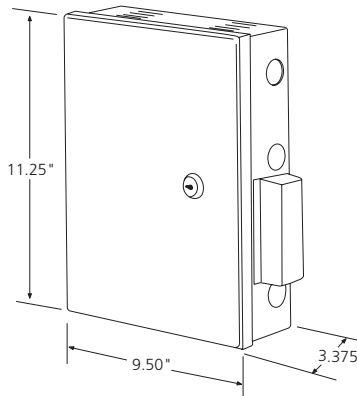
4" Ceiling Mount Enclosure
 W1000-WCO



5" Ceiling Mount Enclosure
 W1000-WC5

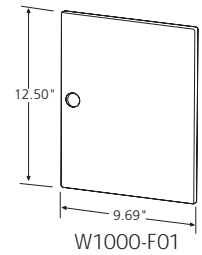


10" Ceiling Mount Enclosure
 W1000-WCE

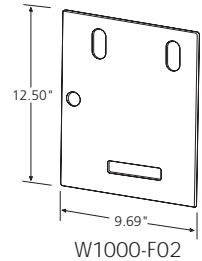


Wall Mount Enclosure
 W1000-WWO

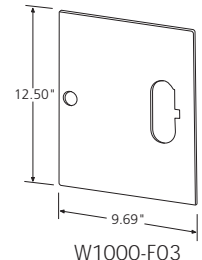
Faceplates for 5" or 10" Ceiling Mount Enclosures



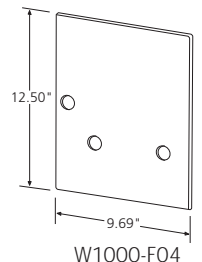
W1000-F01



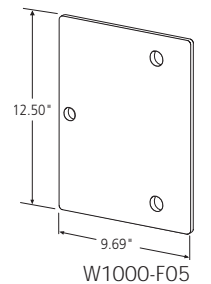
W1000-F02



W1000-F03



W1000-F04



W1000-F05

PART NUMBER

Description	Part No.
Wireless Ceiling Enclosure, 10" Depth, w/o faceplate	W1000-WCE
Wireless Ceiling Enclosure, 5" Depth, w/o faceplate	W1000-WC5
Wireless Ceiling Enclosure, 4" Depth	W1000-WCO
Wireless Wall-Mount Enclosure	W1000-WWO
Blank Faceplate (for 5" or 10" ceiling mount enclosure)	W1000-F01
Faceplate for Cisco Aironet 350 (for 5" or 10" ceiling enclosure)	W1000-F02
Faceplate for Cisco Aironet 1100 (for 5" or 10" ceiling enclosure)	W1000-F03
Faceplate for Cisco Aironet 1200 (for 5" or 10" ceiling enclosure)	W1000-F04
Faceplate for Leviton Enterprise Wireless Access Point	W1000-F05



For Technical Support Call 1-425-485-4288; in USA call 1-800-824-3005.
 Spec sheets and updates are also available at www.levitonvoicedata.com.



2222 - 222nd St. SE • Bothell, WA 98021 USA • Tel: 1-800-722-2082 / 1-425-485-4288 • Fax: 1-425-483-5270 • Int'l Fax: 1-425-485-9170 • GSA Schedule Available.