

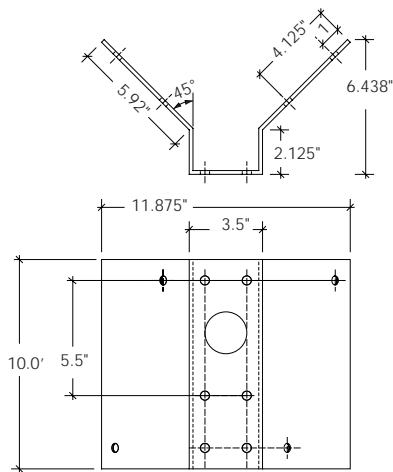
Corner Adapter PCA2/PACA3 Videolarm for Panasonic



1

Outdoor Dome Brackets and Mounts

CA2



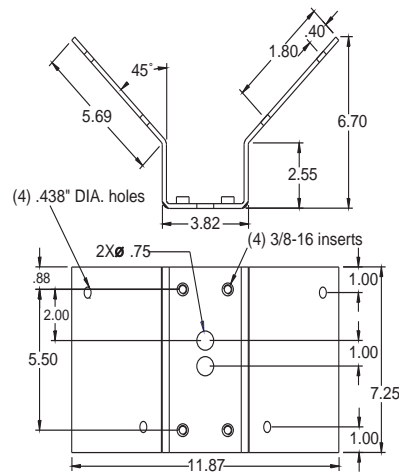
DESCRIPTION:

The PCA2 is a heavy duty corner adapter designed to work with all VIDEOLARM standard wall mounts.

FEATURES:

- Durable powder coat finish
- Heavy-gauge steel for maximum stability
- Designed for easy installation
- 150 lb load rating

ACA2



DESCRIPTION:

Constructed of aluminum, the PACA2 is a corner adapter designed to work with all VIDEOLARM outdoor housings, including the SuperDome™, PressurDome™ and wall mount BMT10.

FEATURES:

- Durable powder coat finish
- All aluminum construction
- Threaded bolt inserts to make installation easier and quicker
- 75 lb load rating



Model	Unit Weight	Shipping Weight	Shipping Box Dim.
CA2	12 lbs	12 Grd/12 Air	14 x 11 x 8

* Shipping weights depend on box dimensions.

Spec#	Rev. Date	Catalog Section	VidFax#
6024	0195	1	S24

Due to our continued efforts to advance technology, product specifications are subject to change without notice.

Model	Unit Weight	Shipping Weight	Shipping Box Dim.
ACA2	12 lbs	12 Grd/12 Air	14 x 11 x 8

* Shipping weights depend on box dimensions.

Spec#	Rev. Date	Catalog Section	VidFax#
6024	0195	1	S24

Due to our continued efforts to advance technology, product specifications are subject to change without notice.

24-hour technical assistance
1-800-554-1124
 2525 Park Central Blvd.
 Decatur, GA 30035

Phone: (770) 987-7550
 1-800-554-1124
U.S. & Canada only

Fax: (770) 987-9705
 1-800-826-0366
VidFax: 1-800-547-5044

Email: info@videolarm.com
 www.videolarm.com