

Sold by:

 **TWAcomm.com**
http://www.TWAcomm.com
Toll Free: (877) 389-0000

2ft. x 2ft.

SELF-AMPLIFIED DROP-IN CEILING SPEAKER

**NO CEILING
TILE CUTTING
WITH 2' X 2'
CEILING FRAME**

Self-Amplified Drop-In Ceiling Speaker ACD2X2, ACD2X2U

with Back Can and Recessed Volume Control

Bogen's ACD2X2 Drop-In Ceiling Speaker is a full-range speaker that allows for fast and easy installation, which saves installation time, effort, and cost.

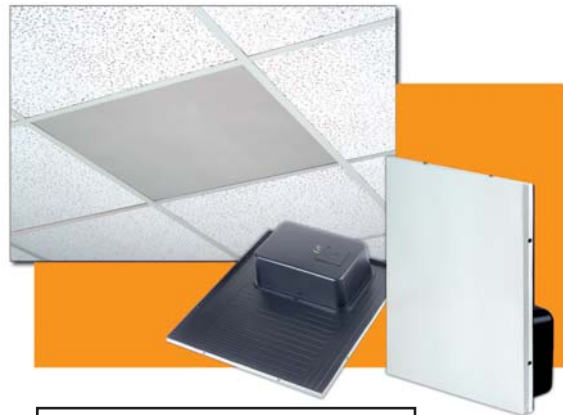
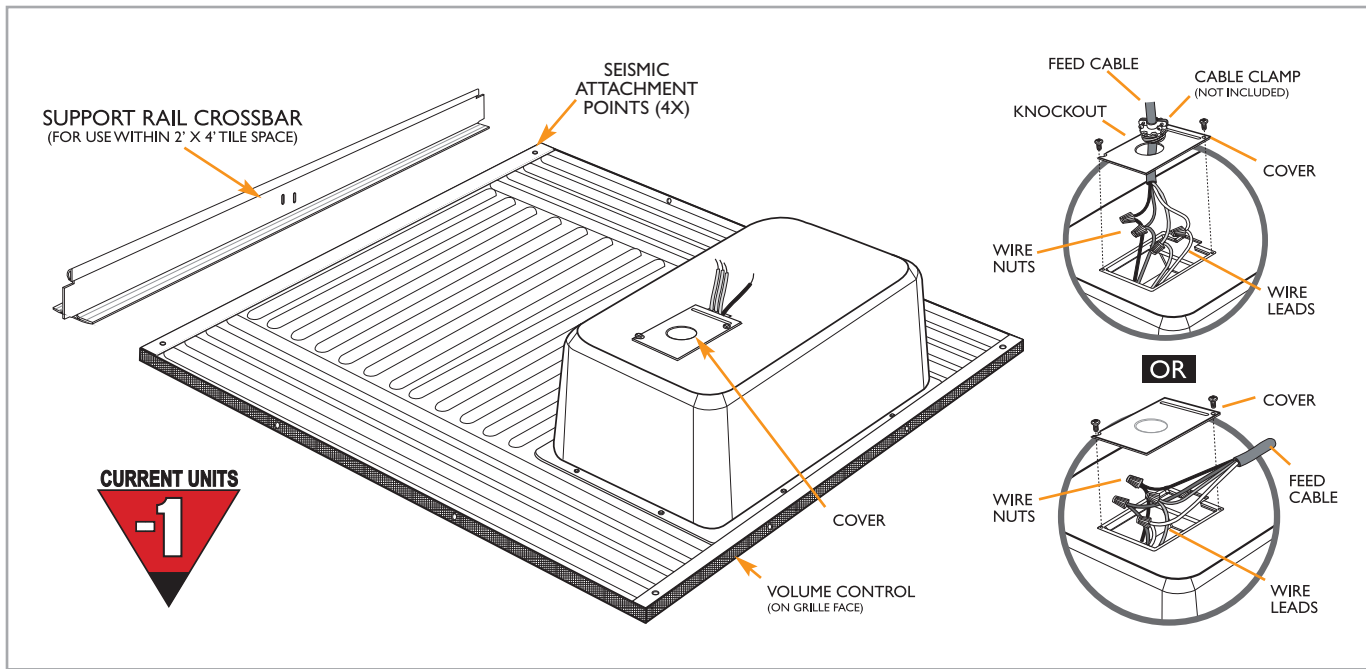
The ACD2X2 is a 2' x 2' speaker that fits perfectly into place in 2' x 2' ceiling grids – without needing to cut ceiling tiles or requiring the use of tile support rails. The ACD2X2 can also be easily installed in 2' x 4' ceiling grids – just make one cut to the ceiling tile, position the support rail (included), and drop the speaker into place.

- Finely perforated grille over the entire front of speaker
- Fully enclosed, industrial grade steel construction
- Enclosed Back Can
- Self-contained 1-watt amplifier
- 8" main cone with secondary high-frequency cone
- Available in off-white and bright white ("U" versions) grille finish
- Recessed Volume Control (front-mounted)
- Complies with Requirements of UL-2043
- Support Rail Crossbar (included)
- Seismic attachment points



BOGEN®

Self-Amplified Drop-In Ceiling Speaker: ACD2X2 & ACD2X2U



SPECIFICATIONS

- Frequency Response 95 Hz - 12 kHz
- Max. SPL @ 1W / 1m 94 dB
- Dispersion @ 2 kHz
(6 dB down) 100°
- Cone Material & Surround Treated paper
- Cones 8" main cone with secondary high frequency cone
- Maximum Amplifier Output 1W
- Typical Operational Current 1 CU (50 mA)
- Input Impedance 2000 ohms
- Typical Input Sensitivity 125 mV rms
- Supply Voltage 24V DC
- Magnet Weight 10 oz.
- Connection Via wire nuts (included in electrical box)
- Dimensions 23-7/8" W x 5" H x 23-7/8" D
- Product Weight 12 lb.

Plenum-rated, complies with requirements of standard UL-2043.

Model	Off-white Finish	Bright White Finish (U)	Back Can	Recessed Volume Control
ACD2X2	●		●	●
ACD2X2U		●	●	●

Architect and Engineer Specifications

The speaker shall be a Bogen Model ACD2X2 Drop-In Self-Amplified Ceiling Speaker, which shall be fully enclosed and constructed of industrial grade steel. It shall be comprised of a damped high-compliance factory-mounted loudspeaker that shall consist of an 8" treated paper main cone, a secondary high frequency cone, and a 10-ounce magnet. The unit shall have a 1-watt amplifier. The typical current consumption shall be 1 CU (50 mA). Frequency response shall be 95 Hz - 12 kHz. Input sensitivity shall be 125 mV rms with max. SPL @ 94 dB (1M). Input impedance shall be 2k ohms. Dispersion shall be 100°. The speaker shall have a non-reflective, off-white or bright white ("U" version) finish metal grille with a recessed volume control accessible through front grille. It shall include 4 seismic attachment points.

The speaker assembly will fit into 2' x 2' and 2' x 4' ceiling grids. For 2' x 2' installations, support rails shall not be required and no cuts to the ceiling shall be necessary. For 2' x 4' installations, a single cut to the ceiling tile and an included support rail shall be required. The speaker shall measure 23-7/8" W x 5" H x 23-7/8" D and shall weigh 12 lb.

BOGEN
COMMUNICATIONS, INC.

50 Spring Street, Ramsey, NJ 07446, U.S.A.
Tel: 201-934-8500 Fax: 201-934-9832 www.bogen.com



Specifications subject to change without notice.
© 2006 Bogen Communications, Inc.
Part No. 54-9273-01D 0902