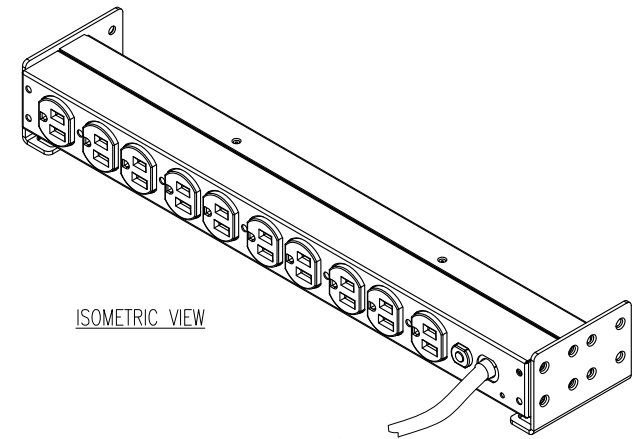
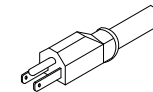


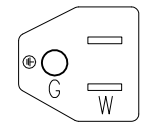
OPTION 1 - VERTICAL MOUNTING



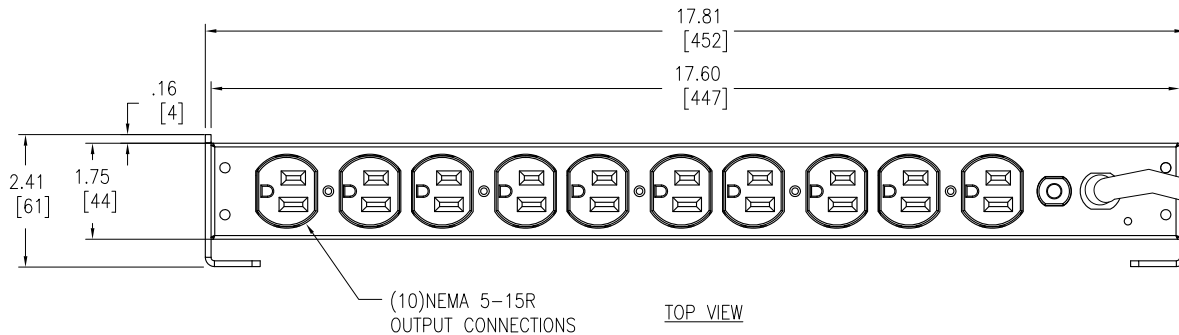
ISOMETRIC VIEW



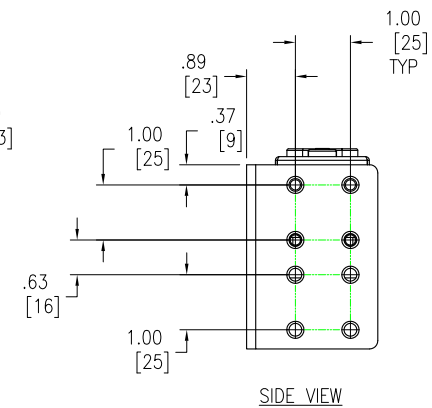
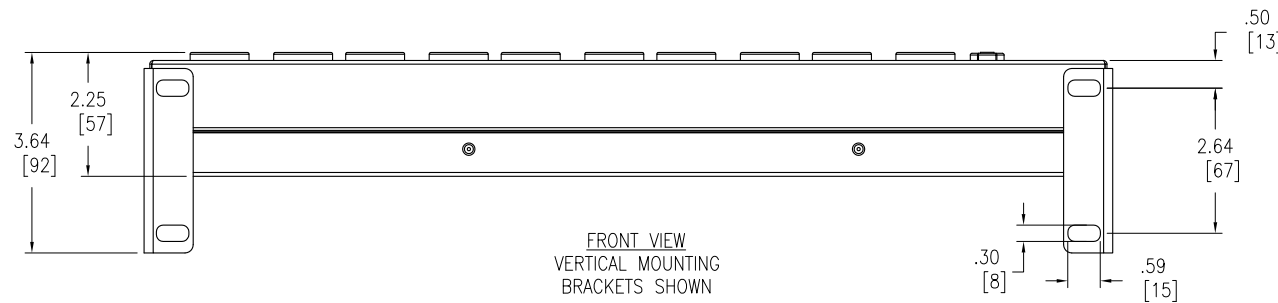
POWER CORD LENGTH IS 12 FEET (3660 MM)



VIEW A
(NEMA 5-15P)
ENLARGED VIEW



SEE VIEW A



NOTES:

1. INSTALLATION SHALL COMPLY WITH ALL APPLICABLE NATIONAL, STATE AND LOCAL CODES.
2. PLEASE REFER TO PRODUCT DOCUMENTATION FOR FURTHER INFORMATION.
3. UNLESS OTHERWISE SPECIFIED ALL DIMENSIONS ARE IN INCHES [MILLIMETERS].
4. NET WEIGHT IS 4.82 LBS, [2.19 kg].
5. BRACKET KITS TO MOUNT TO SPECIFIC COMPETITORS RACKS ARE AVAILABLE AS OPTIONS.

THIS DRAWING AND SPECIFICATIONS HEREIN ARE THE PROPERTY OF AMERICAN POWER CONVERSION AND SHALL NOT BE COPIED, REPRODUCED OR USED IN WHOLE OR IN PART, AS THE BASIS FOR THE MANUFACTURE OR SALE OF ITEMS WITHOUT WRITTEN PERMISSION FROM APC. THIS DRAWING IS BASED UPON LATEST AVAILABLE INFORMATION AND IS SUBJECT TO CHANGE WITHOUT NOTICE.



TITLE: RACK, PDU, BASIC, 1U
INPUT: 120V, 12A, NEMA 5-15R
OUTPUT: 120V, (10) NEMA 5-15R
MAIN MECHANICAL-VERTICAL MOUNTING

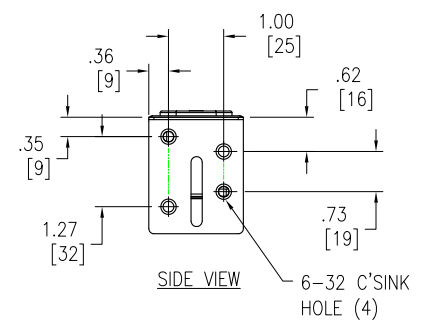
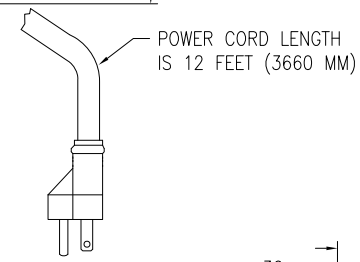
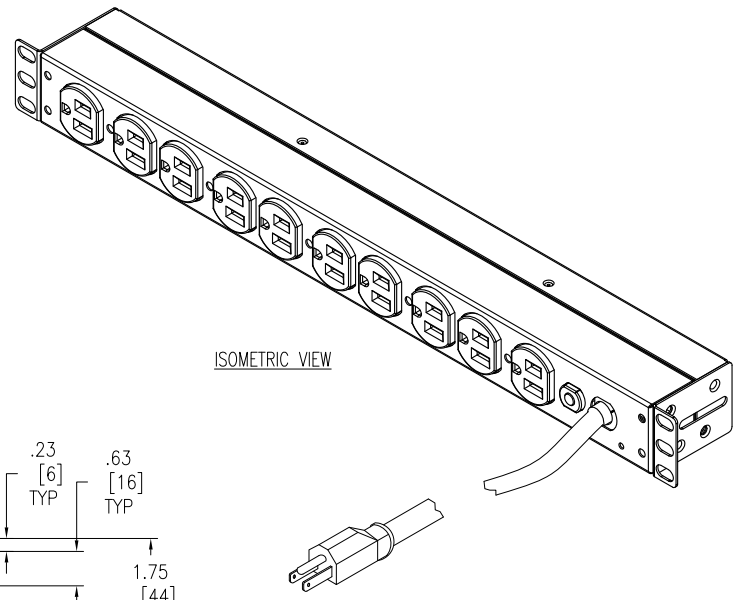
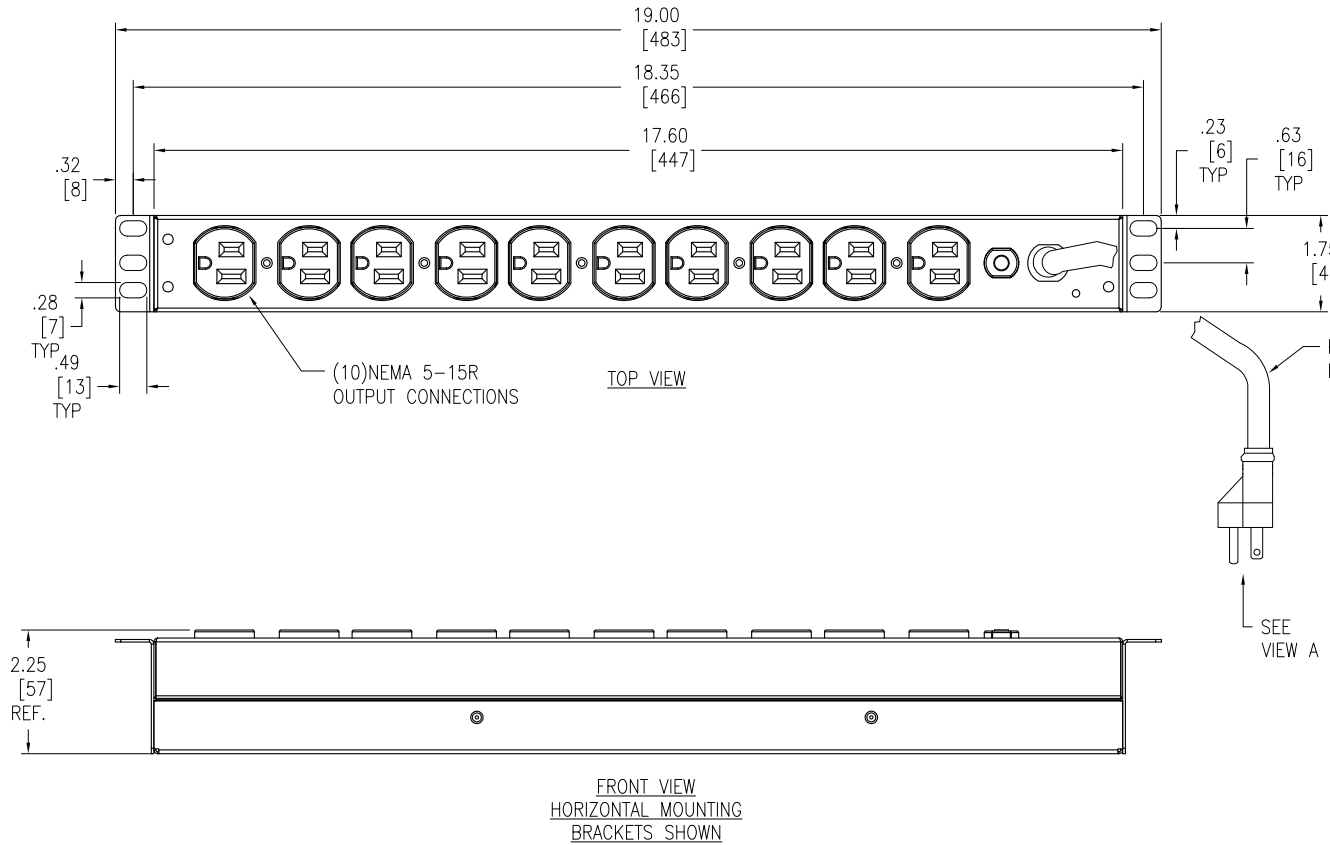
PROJECT: SUBMITTAL DRAWINGS SHEET 1 OF 2

DWG NO: AP9562

DRAWN: B ZAHN	30-DEC-08	THIRD ANGLE PROJECTION
ENGINEER: Y JIANG.T HORSTMANN	30-DEC-08	
APPROVED: B SHERIDAN/S WACH	30-DEC-08	

REV. 0

OPTION 2 – HORIZONTAL MOUNTING



- NOTES:
1. INSTALLATION SHALL COMPLY WITH ALL APPLICABLE NATIONAL, STATE AND LOCAL CODES.
 2. PLEASE REFER TO PRODUCT DOCUMENTATION FOR FURTHER INFORMATION.
 3. UNLESS OTHERWISE SPECIFIED ALL DIMENSIONS ARE IN INCHES [MILLIMETERS].
 4. NET WEIGHT IS 4.82 LBS, [2.19 kg].
 5. BRACKET KITS TO MOUNT TO SPECIFIC COMPETITORS RACKS ARE AVAILABLE AS OPTIONS.

THIS DRAWING AND SPECIFICATIONS HEREIN ARE THE PROPERTY OF AMERICAN POWER CONVERSION AND SHALL NOT BE COPIED, REPRODUCED OR USED IN WHOLE OR IN PART, AS THE BASIS FOR THE MANUFACTURE OR SALE OF ITEMS WITHOUT WRITTEN PERMISSION FROM APC. THIS DRAWING IS BASED UPON LATEST AVAILABLE INFORMATION AND IS SUBJECT TO CHANGE WITHOUT NOTICE.



TITLE: RACK, PDU, BASIC, 1U
 INPUT: 120V, 14A, NEMA 5-15P
 OUTPUT: (14) NEMA 5-15R
 MAIN MECHANICAL-HORIZONTAL MOUNTING

PROJECT: SUBMITTAL DRAWINGS SHEET 2 OF 2

DWG NO:	AP9562	REV:	0
DRAWN:	B ZAHN	30-DEC-08	PROJECTION
ENGINEER:	Y JIANG/T HORSTMANN	30-DEC-08	ANGLE
APPROVED:	B SHERIDAN/S WACH	30-DEC-08	N/A