

**2ft. x 2ft.**

# DROP-IN CEILING SPEAKERS

**NO CEILING  
TILE CUTTING  
WITH 2' X 2'  
CEILING FRAME**

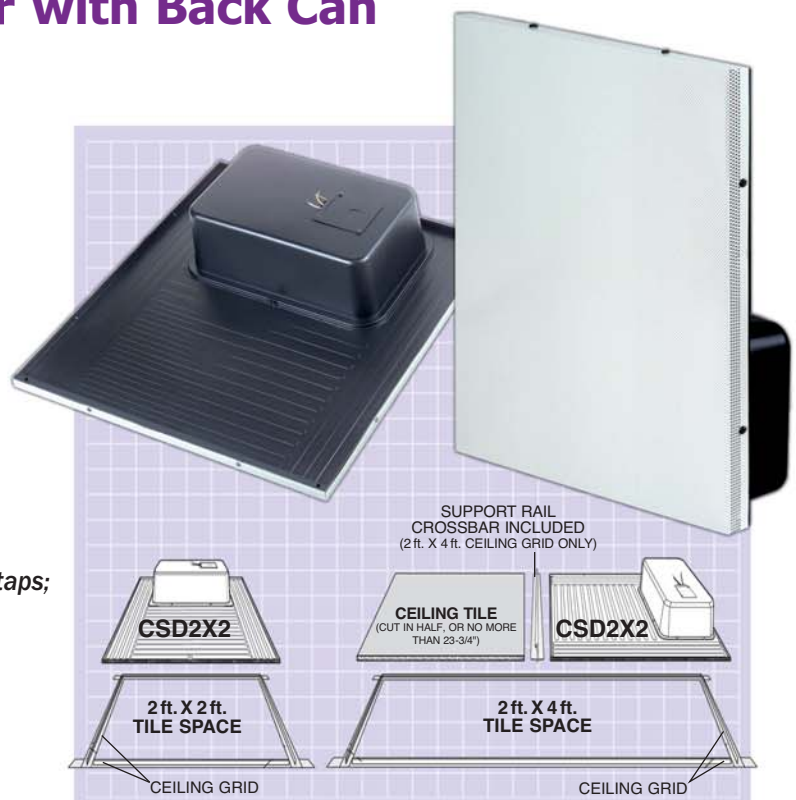


## Drop-In Ceiling Speaker with Back Can CSD2X2 & Variations

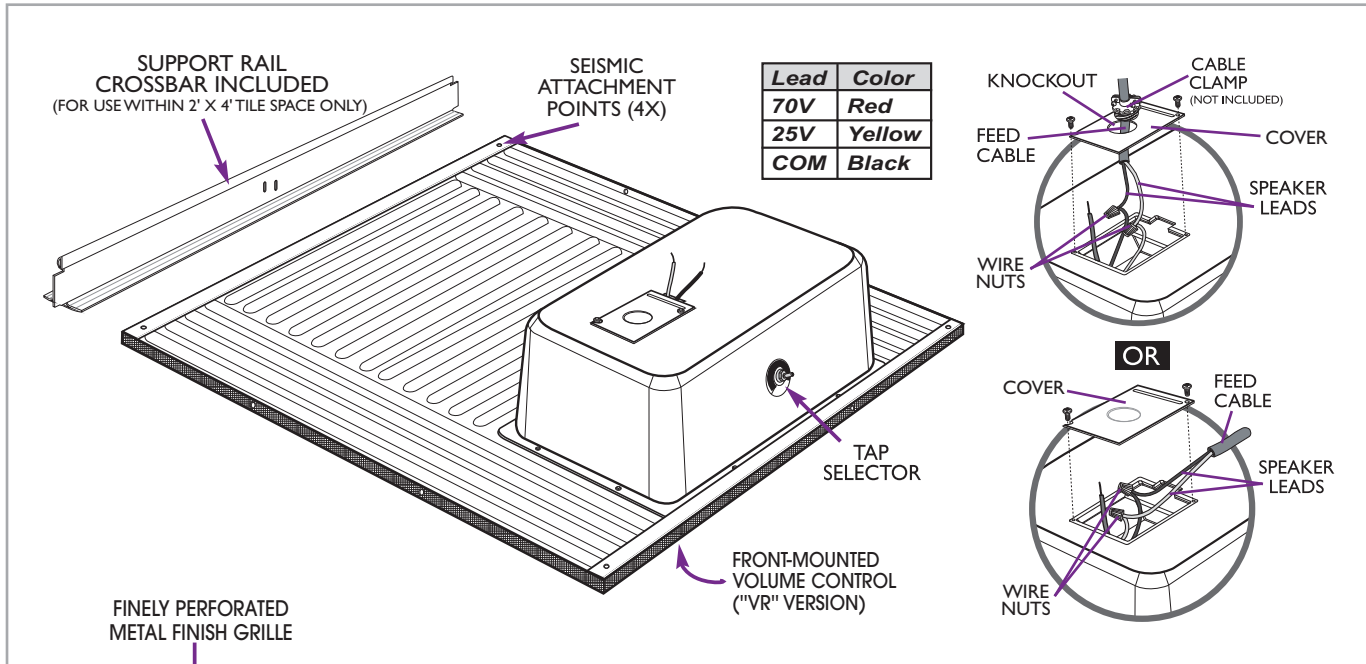
Bogen's CSD2X2 Drop-In Ceiling Speaker is a full-range speaker that allows for fast and easy installation, which saves installation time, effort, and cost.

The CSD2X2 is a 2' x 2' speaker that fits perfectly into place in 2' x 2' ceiling grids – without needing to cut ceiling tiles or requiring the use of tile support rails. The CSD2X2 can also be easily installed in 2' x 4' ceiling grids – just make one cut to the ceiling tile, position the support rail (included), and drop the speaker into place.

- *Finely perforated grille over the entire front of speaker*
- *Fully enclosed, industrial grade steel construction*
- *Enclosed Back Can*
- *8" main cone with secondary high-frequency cone*
- *70V/25V, 4-watt transformer (4, 2, 1, 0.5, 0.25 watt) taps; selected by rotary switch*
- *Seismic attachment points*
- *Available in off-white and bright white ("U" versions) grille finish*
- *"VR" versions have a Recessed Volume Control (front-mounted)*
- *Complies with Requirements of UL-2043*
- *Support Rail Crossbar (included)*


**BOGEN®**

# Drop-In Ceiling Speaker CSD2X2 & Variations



## SPECIFICATIONS

Frequency Response	95 Hz - 20 kHz
SPL @ 1W / 1m	94 dB
Power Taps	4, 2, 1, 0.5, 0.25 watts
Dispersion @ 2 kHz (6 dB down)	100°
Cone Material & Surround	Treated paper
Cones	8" main cone with secondary high frequency cone
Magnet Weight	10 oz.
Connection	Via wire nuts (included in electrical box)
Dimensions	.23-13/16" W x 5" H x 23-13/16" D
Product Weight	12 lb.

70V and 25V Compatible.

Plenum-Rated, complies with Requirements of Standard UL-2043.

### Architect and Engineer Specifications

The speaker shall be a Bogen Model CSD2X2 or CSD2X2VR Drop-In Ceiling Speaker, which shall be fully enclosed and constructed of industrial grade steel. It shall be comprised of a damped high-compliance factory-mounted 8" loudspeaker that shall consist of an 8" treated paper main cone, a secondary high frequency cone, and a 10 ounce magnet. The unit shall have a 70V/25V transformer with power taps of 4, 2, 1, 0.5, and 0.25 watts, selectable by rotary switch. Output shall be 94 dB @ 1 watt / 1 meter (min.). Frequency response shall be 95 Hz - 20 kHz (min.). The speaker shall include 4 seismic attachment points. The speaker shall have a non-reflective, off-white or bright white ("U" versions) metal finish grille.

**For CSD2X2VR:** A front-mounted volume control shall be easily accessible.

The speaker assembly will fit into 2' x 2' and 2' x 4' ceiling tiles. For 2' x 2' installations, a support rail shall not be needed and no cuts to the ceiling shall be necessary. For 2' x 4' installations, a single cut to the ceiling tile and an included support rail shall be needed. The speaker shall measure 23-13/16" W x 5" H x 23-13/16" D and weigh 12 lb.

Model	Off-white Finish	Bright White Finish (U)	Back Can	Recessed Volume Control (VR)
CSD2X2	●		●	
CSD2X2U		●	●	
CSD2X2VR	●		●	●
CSD2X2VRU		●	●	●



**BOGEN**  
COMMUNICATIONS, INC.

50 Spring Street, Ramsey, NJ 07446, U.S.A.  
Tel: 201-934-8500 • Fax: 201-934-9832 • www.bogen.com

Specifications subject to change without notice.  
© 2004 Bogen Communications, Inc.  
Part No. 54-9266-01D 0902