



ODC10-U0W

**Ultrasonic Ceiling-Mount Occupancy Sensor (For use with Leviton Power Pack)\*** Advanced Ultrasonic sensing technology for highly accurate monitoring with excellent immunity to air currents and other interference. All-digital self-adjusting technology provides "Install and Forget" solution for automatic lighting control.

DESCRIPTION	CAT. NO.	COVERAGE	OPERATING FREQUENCY	COLOR
Ultrasonic Ceiling-Mount Occupancy Sensor	ODC05-U0W	180°, 500 sq. ft	40kHz	White
Ultrasonic Ceiling-Mount Occupancy Sensor with Ambient Light Override and Secondary Relay	ODC05-URW	180°, 500 sq. ft	40kHz	White
Ultrasonic Ceiling-Mount Occupancy Sensor	ODC10-U0W	180°, 1000 sq. ft	32kHz	White
Ultrasonic Ceiling-Mount Occupancy Sensor with Ambient Light Override and Secondary Relay	ODC10-URW	180°, 1000 sq. ft	32kHz	White
Ultrasonic Ceiling-Mount Occupancy Sensor	ODC20-U0W	360°, 2000 sq. ft	32kHz	White
Ultrasonic Ceiling-Mount Occupancy Sensor with Ambient Light Override and Secondary Relay	ODC20-URW	360°, 2000 sq. ft	32kHz	White
Hard-Ceiling Raceway Adapter Kit	ODCRA-000	—	—	White
Protective Cage for Ceiling-Mount Occupancy Sensors	ODCCG-000	—	—	White

\*Low-voltage wiring is used to connect Leviton Occupancy Sensors to Cat. No. ODP13 Power Pack (purchased separately). See page P11 for Power Pack information.

All devices are CUL/US Certified.

## SPECIFICATIONS & FEATURES

- Ideal for restrooms, office areas with cubicles, general work space, warehouse and storage facilities, cafeterias and public areas in commercial facilities
- Ultrasonic sensing for maximum range and sensitivity combined with high immunity to false triggering from air currents and other interference
- Self-adjusting settings continuously analyze and adjust sensitivity, timer operation, and air current compensation for reliable, long-term performance
- Automatic dual-mode operation adjusts to either economy or high-sensitivity mode based on actual occupancy patterns for maximum energy savings
- Built-in Circadian Calendar — Provides 4-week learning period where the sensor monitors occupancy to establish trends that serve as the basis for automatic operation. During peak occupancy periods the sensor remains in high-sensitivity mode and during low occupancy periods it switches to economy mode.
- Manual Delayed-OFF time settings of 8, 16, and 32 minutes, with 8-second test mode
- Self-Adjusting Delayed-OFF time interval settings for 8 to 100 minutes — Compensates for real-time occupancy patterns, preventing unnecessary ON/OFF switching

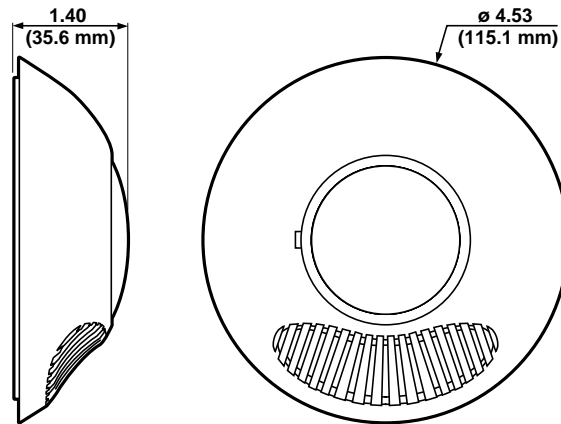
- Non-volatile memory preserves all automatic and manual settings during power outages
- Choice of coverage patterns to suits a variety of applications
- Small, unobtrusive size (4.5" diameter) blends in with any décor
- Fast, simple installation using 3 color-coded low-voltage wires and a single mounting post
- Hard-Ceiling Raceway Adapter Kit (optional) provides complete solution for mounting occupancy sensors to hard ceil "rotate and lock" Adapter Plate for attaching Sensor. Compatible with most standard surface-mounting raceways; also suitable for mounting Sensors to standard octagonal J box

### Optional Performance Features (Models with -URW suffix)

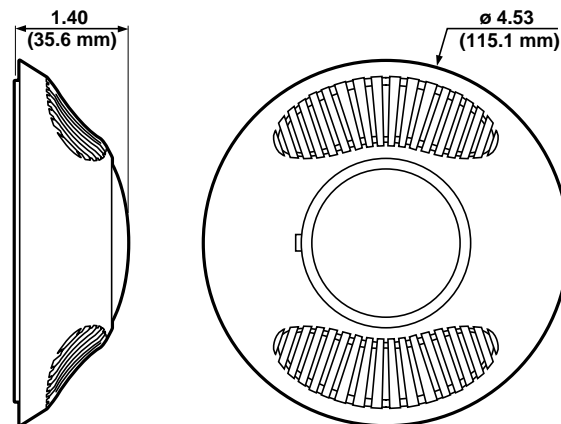
- Ambient light override option prevents lights from turning ON when there is ample natural light
- Secondary Relay — Single-Pole Double-Throw (SPDT), rated 500 mA @ 24V AC/DC, three-wire isolated relay
- Secondary Relay can be used to send control signals to HVAC systems based on occupancy detection

### TESTING & CODE COMPLIANCE

- CUL/US Certified



Cat. Nos. ODC05-U, ODC010-U



Cat. No. ODC20-U

