

Commercial Grade

Single Pole Cam-Type Connectors



18 Series — Ball Nose — Up to 400 AMP,* 600V

*Refer to Ampacity Chart for all cable sizes on page JJ2

Multi-Way Connectors

	3-FER MALE-FEMALE-FEMALE-FEMALE	3-FER FEMALE-MALE-MALE-MALE
COLOR	CAT. NO.	CAT. NO.
Black	18A23-E	18A26-E
White	18A23-W	18A26-W
Red	18A23-R	18A26-R
Blue	18A23-B	18A26-B
Green	18A23-G	18A26-G
Yellow	18A23-Y	18A26-Y
Orange	18A23-O	18A26-O
Brown	18A23-H	18A26-H



18A23-E

Multi-Way Connectors

	DOUBLE FEMALE FEMALE-FEMALE	DOUBLE MALE MALE-MALE
COLOR	CAT. NO.	CAT. NO.
Black	18A24-E	18A25-E
White	18A24-W	18A25-W
Red	18A24-R	18A25-R
Blue	18A24-B	18A25-B
Green	18A24-G	18A25-G
Yellow	18A24-Y	18A25-Y
Orange	18A24-O	18A25-O
Brown	18A24-H	18A25-H



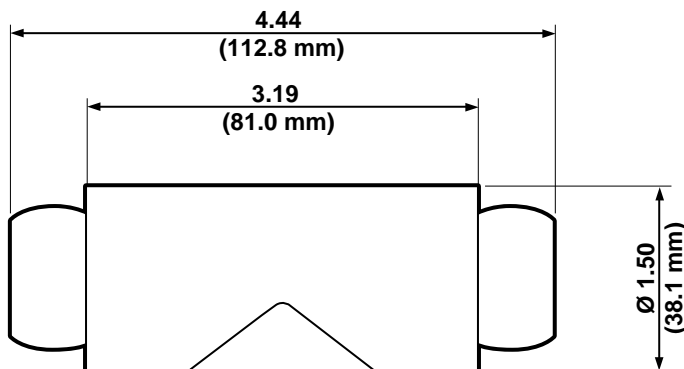
18A25-E

SPECIFICATIONS & FEATURES

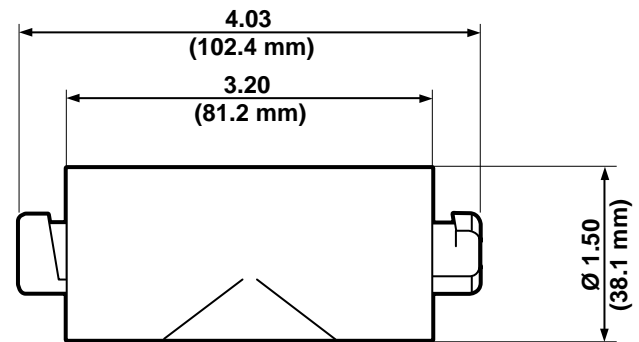
- The 18 Series Ball Nose pin and sleeve type plugs, receptacles and connectors are used by the broadcast industry in Canada, as well as the welding industry in the United States

TESTING & CODE COMPLIANCE

- UL Listed E-13399
- CSA Certified LR-406



MULTI-WAY CONNECTOR—FEMALE TO FEMALE
Cat. No. 18A24



MULTI-WAY CONNECTOR—MALE TO MALE
Cat. No. 18A25

