

Sold by:



## 18 Series — Ball Nose — Up to 400 AMP,\* 600V

\*Refer to Ampacity Chart for all cable sizes on page JJ2

### Panel Receptacle

COLOR	THREADED STUD STYLE (CABLE SIZE: #2-4/0)		DOUBLE SET SCREW STYLE (CABLE SIZE: 1/0-4/0)	
	MALE	FEMALE	MALE	FEMALE
Black	18R21-E	18R22-E	18R23-E	18R24-E
White	18R21-W	18R22-W	18R23-W	18R24-W
Red	18R21-R	18R22-R	18R23-R	18R24-R
Blue	18R21-B	18R22-B	18R23-B	18R24-B
Green	18R21-G	18R22-G	18R23-G	18R24-G
Yellow	18R21-Y	18R22-Y	18R23-Y	18R24-Y
Orange	18R21-O	18R22-O	18R23-O	18R24-O
Brown	18R21-H	18R22-H	18R23-H	18R24-H

### Three-Way Lay Down "T" Connectors

COLOR	PARALLELING TEE FEMALE-MALE-MALE	TAPPING TEE FEMALE-FEMALE-MALE
	CAT. NO.	CAT. NO.
Black	18A21-E	18A22-E
White	18A21-W	18A22-W
Red	18A21-R	18A22-R
Blue	18A21-B	18A22-B
Green	18A21-G	18A22-G
Yellow	18A21-Y	18A22-Y
Orange	18A21-O	18A22-O
Brown	18A21-H	18A22-H

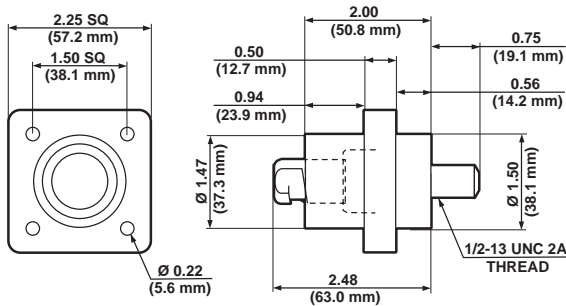
Threaded stud panel receptacles available in various lengths: Standard stud length is 3/4"—1.25" stud length specify-12 suffix. Other stud lengths available.

### SPECIFICATIONS & FEATURES

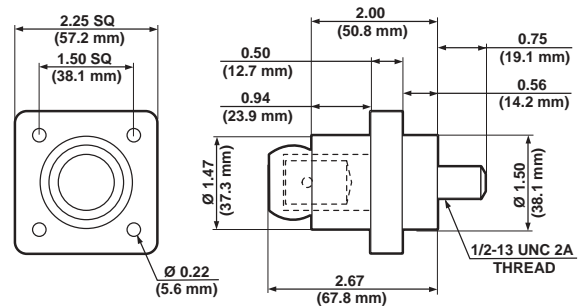
- The 18 Series Ball Nose pin and sleeve type plugs, receptacles and connectors are used by the broadcast industry in Canada, as well as the welding industry in the United States

### TESTING & CODE COMPLIANCE

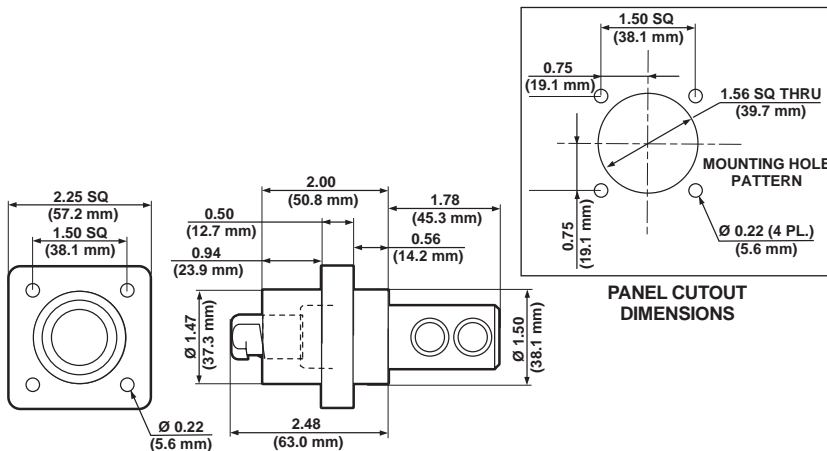
- UL Listed E-13399
- CSA Certified LR-406



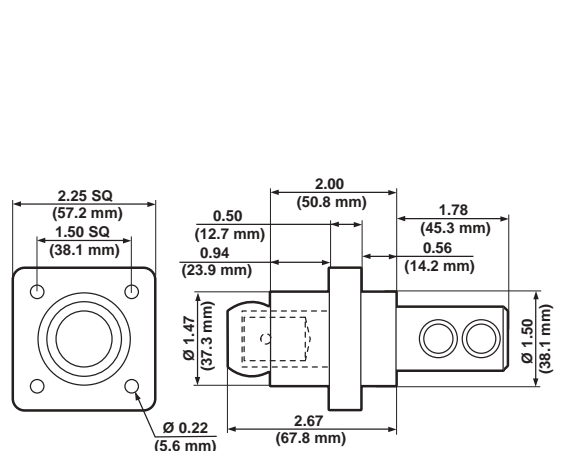
MALE THREADED STUD PANEL RECEPTACLE—Cat. No. 18R21



FEMALE THREADED STUD PANEL RECEPTACLE—Cat. No. 18R22



MALE DOUBLE SET SCREW PANEL RECEPTACLE—Cat. No. 18R23



FEMALE DOUBLE SET SCREW PANEL RECEPTACLE—Cat. No. 18R24