

QuickPort® Stainless Steel Wallphone Wallplate

APPLICATION

Leviton's QuickPort® Stainless Steel Wallphone Wallplates are designed with rivets to support a variety of wall-mount telephones while offering field-configurable flexibility. Single-port opening accepts QuickPort snap-in Connectors and Adapters to support a variety of commercial and residential applications. The wallplates are available in flush or recessed versions; the flush version allows the QuickPort Connector to rest flush with the wallplate; the recessed version allows the connector to extend out from the plate and fit cleanly with a telephone's slide rail mechanism.

STANDARDS COMPLIANCE

Meets all applicable standards: cULus listed; complies with TIA/EIA-570-A.

PHYSICAL SPECIFICATIONS

Dimensions: 4.5"H x 2.75"W x 0.187"D
Materials: Type 302 Stainless Steel
Capacity: Single-gang, 1-port Version
(flush and recessed)

DESIGN CONSIDERATIONS

- Accepts all QuickPort Snap-in Connectors and Adapters
- Stainless steel plate is durable and corrosion resistant
- Fits minimum rectangular NEMA openings.
- Available in recessed and flush designs.

See ELECTRONIC FILES for CAD files (.DXF, .DWG, MS-DOS.EPS) on disk



WARRANTY INFORMATION

For a copy of Leviton product warranties, log on to www.levitonvoicedata.com/warranty.

For ELECTRONIC Typical Specs see (.TXT) file on disk.

TYPICAL SPECIFICATION

The stainless steel wallphone wallplate shall meet all applicable standards: cULus listed and meet FCC part 68. It shall be constructed with Type 302 stainless steel, fit minimum rectangular NEMA openings and accept all QuickPort Snap-in Connectors and Adapters. It shall be available in recessed and flush designs.

QuickPort® Stainless Steel Wallphone Wallplate



For Technical Support Call 1-425-485-4288; in USA call 1-800-824-3005.
Spec sheets and updates are also available at www.levitonvoicedata.com.

QuickPort® Stainless Steel Wallphone Wallplate

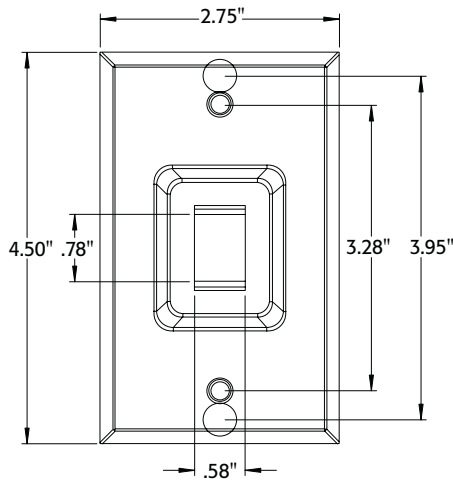
Part Number
4108W-xSP

.....

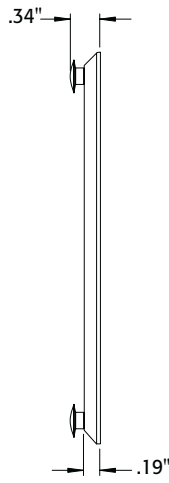
DIMENSIONAL LINE ART

See ELECTRONIC FILES for CAD images
(.DXF, .DWG, MS-DOS.EPS)

PN# 4108W-1SP

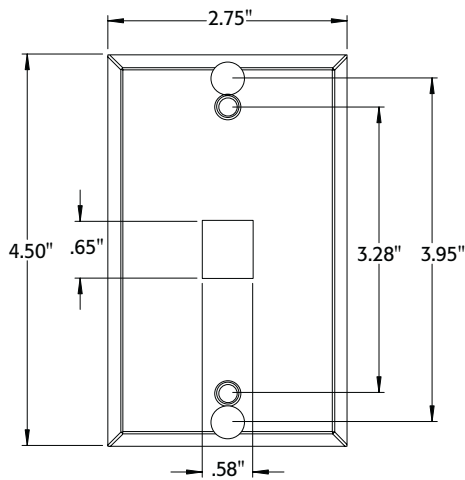


Front View

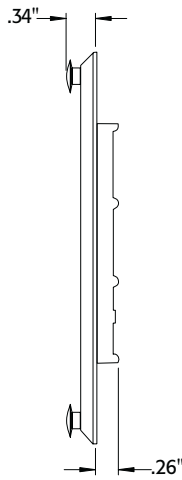


Side View

PN# 4108W-OSP



Front View



Side View

PART NUMBERS

Description	Part No.
QuickPort Single-gang Wallphone Wallplate (Recessed, 1-Port)	4108W-1SP
QuickPort Single-gang Wallphone Wallplate (Flush, 1-Port)	4108W-OSP



For Technical Support Call 1-425-485-4288; in USA call 1-800-824-3005
Spec sheets and updates are also available at www.levitonvoicedata.com.

2222 - 222nd St. SE • Bothell, WA 98021 USA • Tel: 1-800-722-2082 / 1-425-485-4288 • Fax: 1-425-483-5270 • Int'l Fax: 1-425-485-9170

