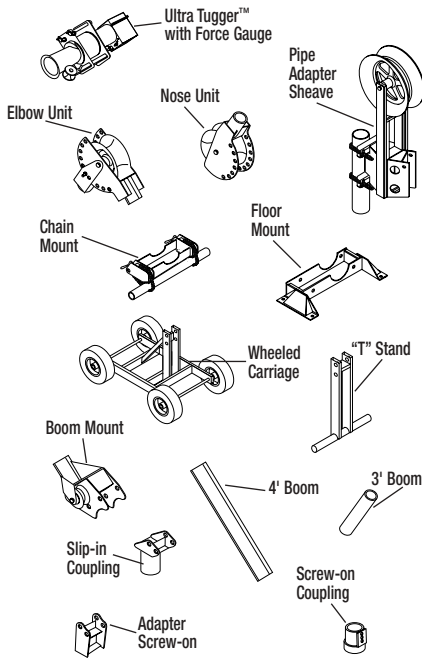


## Ultra Tugger™ Cable Puller: 8000 lb. (35.8kN) rated (continued)



CAT.NO.	UPC NO.	DESCRIPTION	6800	6801	6802	6805
08000	08000	Ultra Tugger™	✓	✓	✓	✓
01069	01069	Force Gauge	✓	✓	✓	✓
00862	00862	Pipe Adapter Sheave			✓	✓
00863	00863	Elbow Unit				✓
00864	00864	Nose Unit			✓	✓
00865	00865	Floor Mount	✓		✓	✓
00866	00866	Chain Mount		✓		
00867	00867	"T" Stand			✓	✓
00870	00870	Wheeled Carriage				✓
00871	00871	Boom Mount			✓	✓
00835	00835	3' (.9 m) Boom Tube				✓
00791	00791	4' (1.2 m) Boom Tube			✓	✓
00811	00811	3" Slip-in Coupling			✓	✓
00815	00815	3-1/2" Slip-in Coupling			✓	✓
00820	00820	4" Slip-in Coupling			✓	✓
00799	00799	Adapter for Screw-on Coupling				✓
00782	00782	3" Screw-on Coupling				✓
00783	00783	3-1/2" Screw-on Coupling				✓
00784	00784	4" Screw-on Coupling				✓
34136	34136	7/8" x 300' (22.2 mm x 91 m) Rope				
34137	34137	7/8" x 600' (22.2 mm x 182 m) Rope				
654	34362	Rope Stand				
3048	23362	Storage Box			✓	✓
603	23405	Casters – 2 Rigid, 2 Swivel			✓	✓

## Deluxe Force Gauge and Optional Strip Chart



### SPECIFICATIONS

**Deluxe Force Gauge** Accuracy  $\pm 5\%$ .

- Measures tension on the rope, to an accuracy of  $\pm 5\%$ .
- Accuracy is not affected by initial rope size, or the change in rope size as it is loaded.
- 0-10 VDC Analog output to optional strip chart recorder for permanent record of pulling force.
- Switchable 120VAC receptacle for chart recorder.
- Use with pulling rope up to 7/8" diameter (22.2 mm) maximum. Also use with Kevlar® tape.

CAT. NO.	UPC NO.	DESCRIPTION
00967	00967	Deluxe Force Gauge
33901	33901	Strip Chart Recorder
00966	00966	Cord Patch
86328	86328	Paper for Chart Recorder

33901 - Strip Chart Recorder is sold separately from the Deluxe Force Gauge.

Sold by:

