

New products from

CABLOFIL®

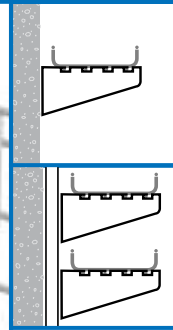
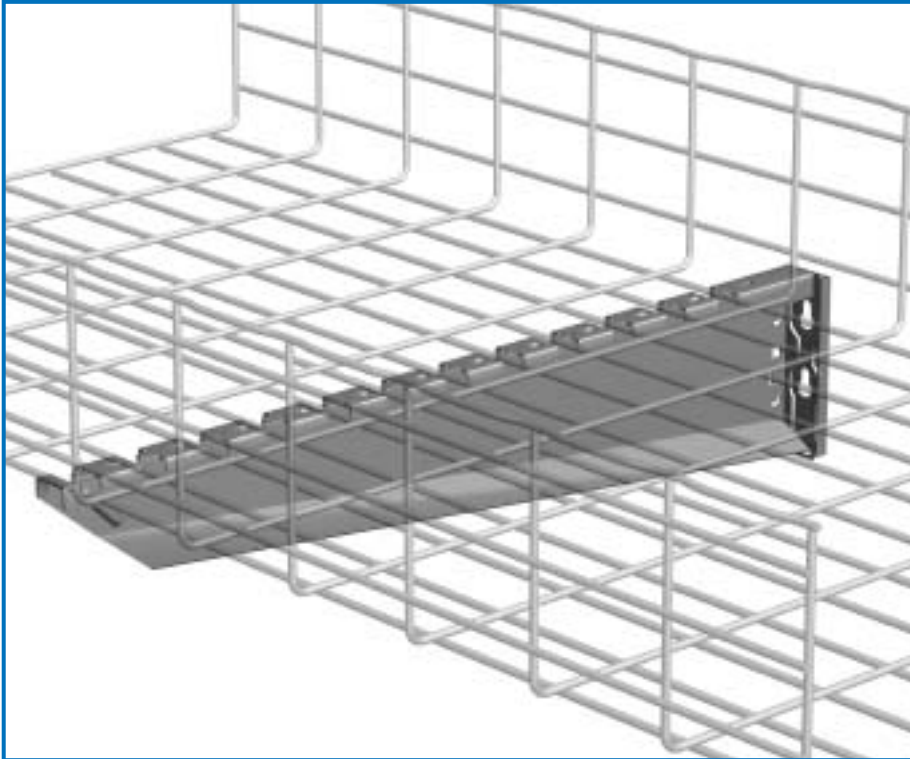
INNOVATORS IN CABLE MANAGEMENT



FAS U UNIVERSAL BRACKET

CF30 - CF54 - CF105 - CF150

4" → 24"
 100 → 600 MM



- For wider tray and heavier loads.
- Snaps directly into EDF rail.

	←→		L		H		⬆	
	INCHES	MM	INCHES	MM	INCHES	MM	LBS	KG
FASU 400	16"	400	18"	457	5.5"	137.7	1.8	0.8
FASU 500	20"	500	22"	557	3.5"	85	2.9	1.3
FASU 600	24"	600	26"	657	5.0"	124	6.4	2.9

PG GC 316L BL PE

Cablofil achieves a new standard in wall brackets. The new FASU is a stronger, longer wall bracket that will now hold from 16" to 24" wide tray. It is also great for narrower width tray in multiple runs. And, like the original FASU, it will secure Cablofil wire cable tray without any additional hardware – the only tool you need is a screwdriver. FASU can be bolted directly to any wall, attached to channel framing or for tiered installations, the new FASU mounts directly to Cablofil's new EDF rail.

Finishes: PG=Pre-Galvanized GC=Hot Dipped Galvanized 316L=Stainless Steel 316L BL=Black Painted PE=Custom Painted

CABLOFIL®

INNOVATORS IN CABLE MANAGEMENT

CORPORATE OFFICES

8319 State Route 4
 Mascoutah, IL 62258 USA
 Phone: 618-566-3230
 800-658-4641
 Fax: 618-566-3250
www.cablofil.com

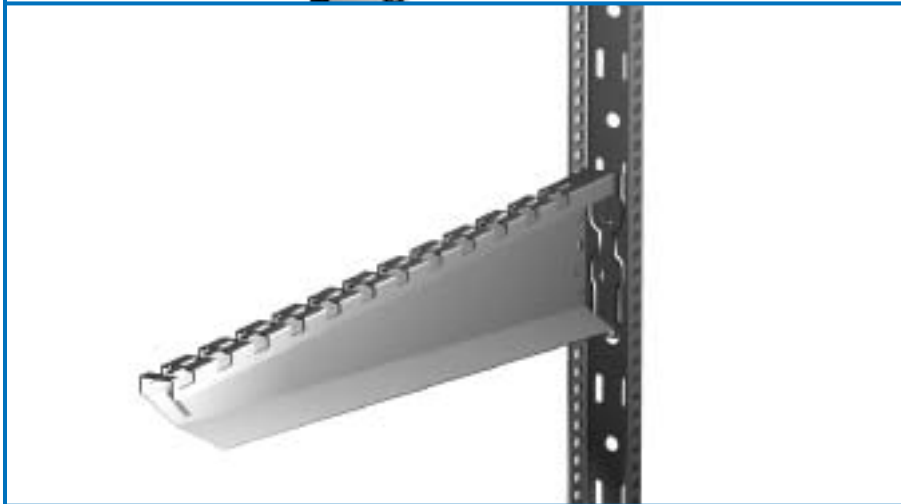
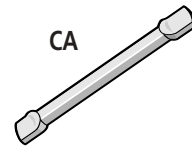
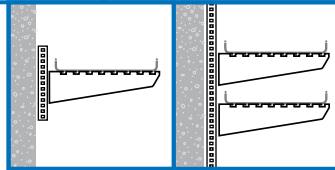
EDF speeds Rail install time



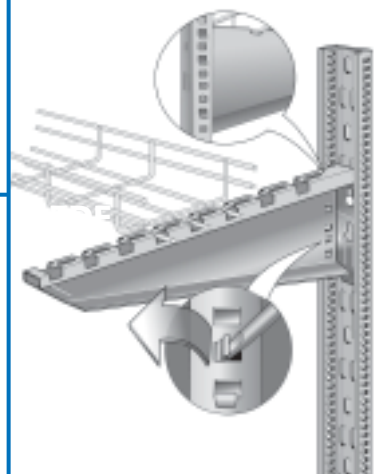
EDF RAIL

CF30 - CF54 - CF105 - CF150

4" → 24"
100 → 600 MM



- EDF Rail makes tiered cable tray runs easier and faster to install.
- CA Pin (sold separately) is required to install 4" to 12" FASU.
- FASU sizes 16" to 24" will snap directly onto EDF Rail.



	INCHES	MM	LBS	KG
EDF 300	12"	270	0.7	0.3
EDF 600	24"	600	1.8	0.8
EDF 1000	40"	1000	2.6	1.2
EDF 2/3000	10'	3000	9.1	4.1

PG GC 316L BL PE

Speed installations of tiered cable tray runs with the new EDF rail from Cablofil. The FASU Bracket (4" to 12") requires a CA pin for attachment. The new FASU Bracket (16" to 24") snaps directly onto the EDF Rail for a secure and fast installation. A complete line of supports and braces makes EDF Rail the support of choice for any installation.

Finishes: PG=Pre-Galvanized GC=Hot Dipped Galvanized 316L=Stainless Steel 316L BL=Black Painted PE=Custom Painted

EDF Rail

Accessories

CABLOFIL®

INNOVATORS IN CABLE MANAGEMENT

EDF RAIL

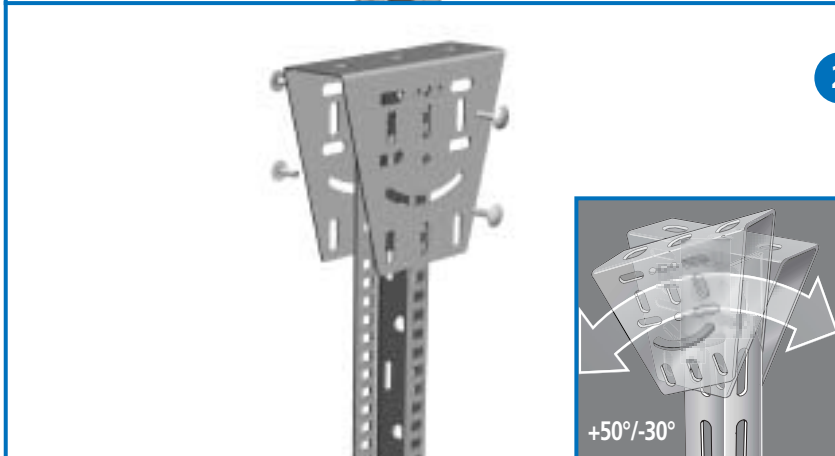
CF30 - CF54 - CF105 - CF150

4" → 24"
100 → 600 MM

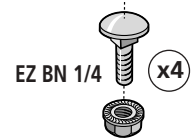


1 PFREDF MOUNTING BRACKET

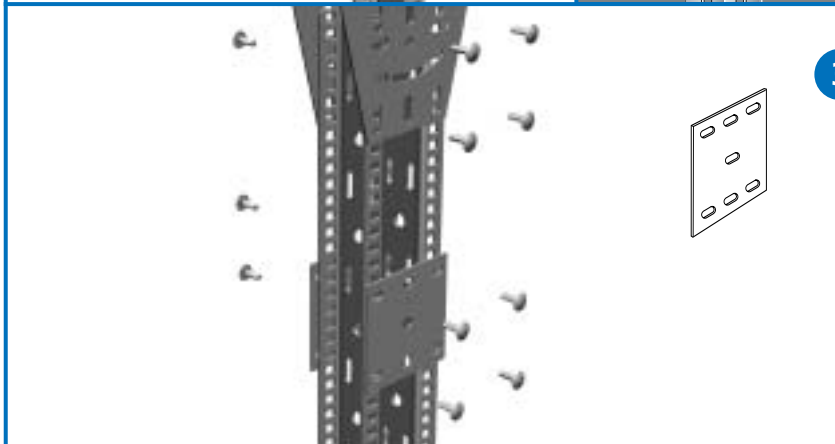
- Use PFREDF to attach EDF Rail directly to ceiling.
- EDF Rail simply snaps to the PFREDF without additional hardware.



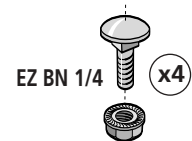
2 DF ANGLE MOUNTING BRACKET



- Use DF to attach EDF Rail to any angled ceiling or floor.
- Attach EDF Rail to DF with EZ BN 1/4 (sold separately).



3 ERD 10 BRACE PLATE



- Use ERD 10 to assemble double-sided ceiling-hung tray runs, floor stands or in underfloor installations.
- Attach EDF Rail to ERD 10 with EZ BN 1/4 (sold separately).



		LBS	KG
1	PFREDF*	1.3	0.6
2	DF	1.3	0.6
3	ERD 10*	0.4	0.2

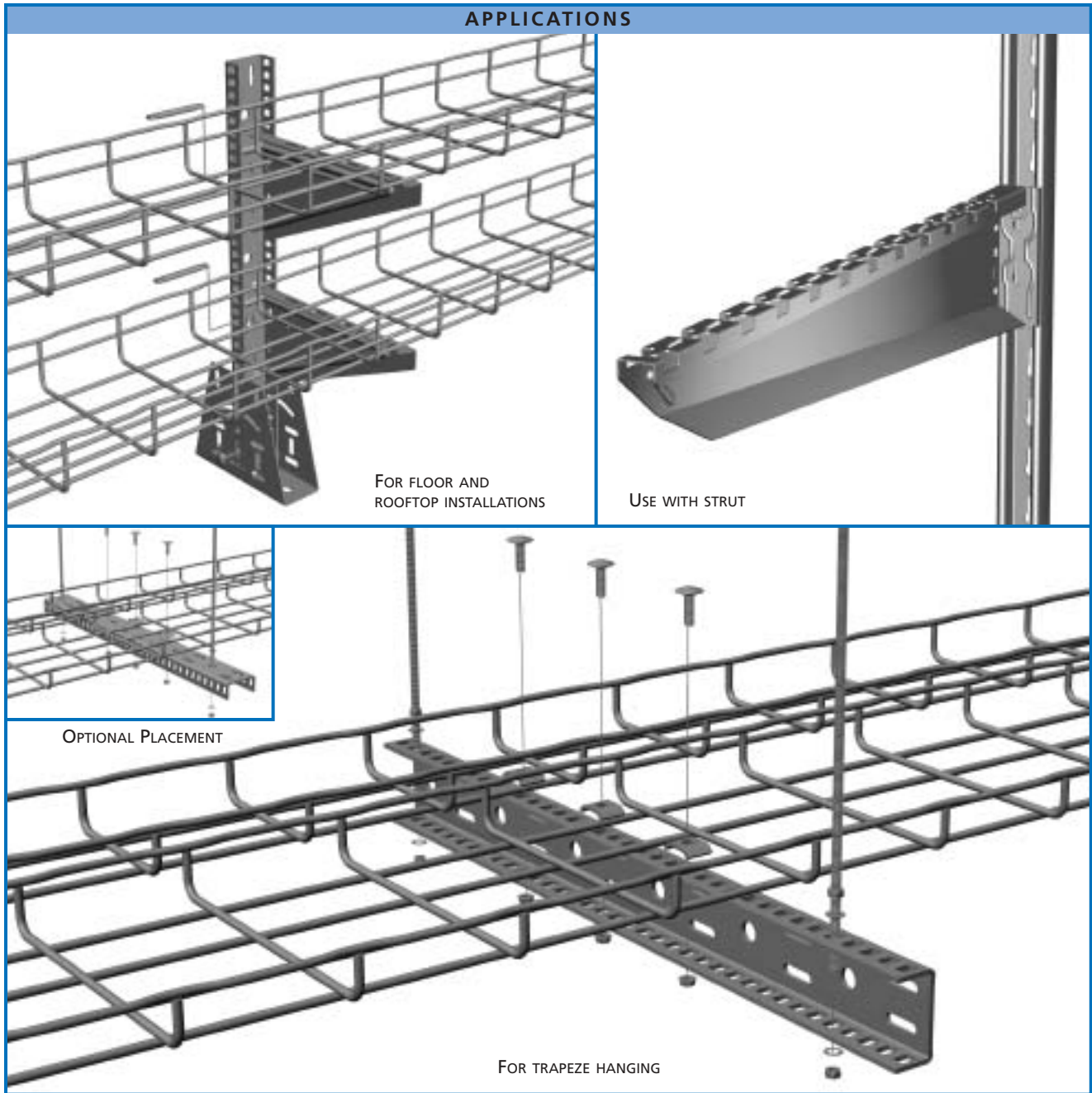
PG GC* 316L* BL PE

*PFREDF is not available in GC .

*ERD 10 is not available in 316L.

FASU and EDF RAIL

work in varied applications



EDF Rail was designed specifically to reduce labor costs in tiered installations. It can be mounted to strut walls, used in underfloor installations and trapeze or ceiling-hung configurations.

