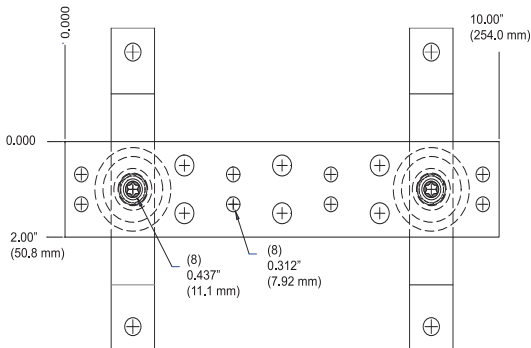


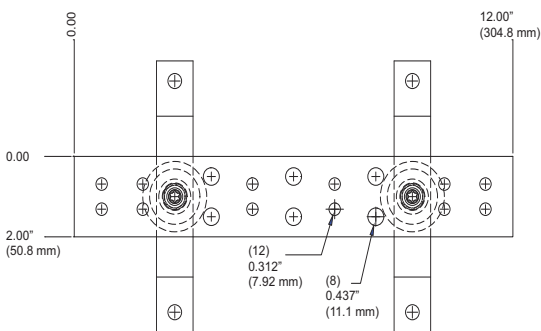


BICSI & ANSI/EIA/TIA Grounding Busbars

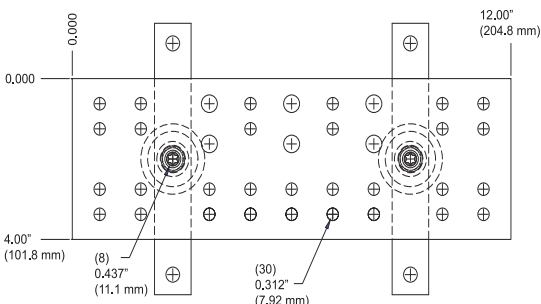
The CPI 13622 series Telecommunications Grounding Busbar (TGB) provides a central ground attachment point for telecommunications systems, computers and other equipment located in the data room. The CPI 40153 series Telecommunications Main Grounding Busbar (TMGB) provides a central ground attachment point for telecommunications bonding backbones, equipment and the building's ground electrode system. All CPI Grounding Busbars are UL Listed.



13622-010: (4) Lugs, 5/8" (15.88 mm) hole centers
(3) Lugs, 1" (25.4 mm) hole centers



13622-012: (6) Lugs, 5/8" (15.88 mm) hole centers
(3) Lugs, 1" (25.4 mm) hole centers



40153-012: (15) Lugs, 5/8" (15.88 mm) hole centers
(3) Lugs, 1" (25.4 mm) hole centers

Hole patterns on Busbars accommodate two-hole lugs per the recommendation of BICSI NECA/BICSI 607-2011 and TIA-607-B standards. Insulators electrically isolate Busbars from the wall or other mounting surfaces, thereby controlling the current path.

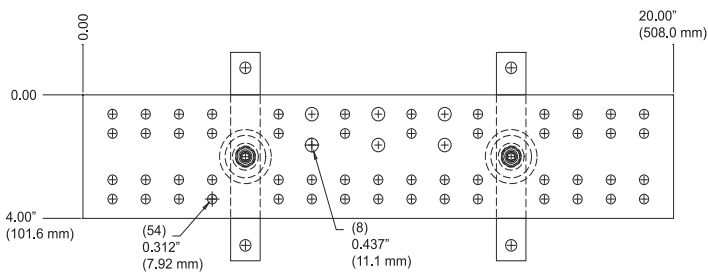
- Mounting brackets are manufactured from high-quality 300 series stainless steel with 3/8" (9.53 mm) diameter mounting holes spaced 5.75" (146.1 mm) apart
- Busbars mount on the wall, floor or ceiling
- Ships preassembled
- Sold individually
- Busbar assemblies with lug kits also available
- Other configurations available on request

Each Busbar consists of:

- (1) Busbar
- (2) insulators
- (2) stand-off brackets
- (4) stainless steel bolts with Torx T-45 head
- Order installation hardware separately

Part Number	Description in (mm)	Busbar Size H x W x D in (mm)	Shipping Weight lb (kg)
13622-010	10 (250) TGB	2 x 10 x 1/4 (50 x 250 x 6.4)	3 (1.4)
13622-012	12 (300) TGB	2 x 12 x 1/4 (50 x 300 x 6.4)	4 (1.8)
40153-012	12 (300) TMGB	4 x 12 x 1/4 (50 x 100 x 6.4)	7 (3.2)
40153-020	20 (510) TMGB	4 x 20 x 1/4 (50 x 510 x 6.4)	8 (3.6)

Note: See details at left for lug sizes and quantities. Overall height with stand-off brackets is 6.63" (168 mm); overall depth is 3.13" (80 mm).



40153-020: (27) Lugs, 5/8" (15.88 mm) hole centers
(3) Lugs, 1" (25.4 mm) hole centers