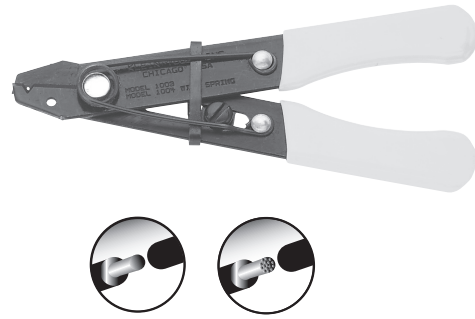


Adjustable Wire Strippers/Cutters – Solid and Stranded Wire

- A handy, light, compact tool for stripping insulation.
- Convenient hole for looping or bending wire.
- Black-oxide finish with plastic-dipped handles.
- Cuts, strips, and loops 12-26 solid and stranded wire.
- Adjustable slide stop with set screw for repeat stripping work.



1004

Cat. No.	Hold-Open Spring	Overall Length	Strips and Cuts	Handle Color	Weight (lbs.)
1004	yes	5" (127 mm)	12 – 26 AWG solid & stranded (2.5 mm ² – 0.14 mm ²)	yellow	.18
1003	no	5" (127 mm)	12 – 26 AWG solid & stranded (2.5 mm ² – 0.14 mm ²)	yellow	.14

Adjustable Wire Stripper – Solid and Stranded Wire

- Simply dial desired wire size for fast, easy stripping.
- Adjustable tool makes short work of cutting and stripping operations.
- Finely honed nose cutter easily gets into tight areas.
- Wire gauge dial sets stripping dies to proper size, helps prevent nicked wire.
- Black-oxide finish with plastic-dipped handles.
- Spring-loaded design – tool opens automatically after each action.



74007

Cat. No.	Overall Length	Strips and Cuts	Handle Color	Weight (lbs.)
74007	5-1/20" (128 mm)	adjusts from 12 – 24 AWG (2.5 mm ² – .25 mm ²)	yellow	.15



All dimensions are in inches and (millimeters).

▲WARNING: Always wear approved eye protection.

▲WARNING: NOT insulated. Plastic-dipped or slip-on plastic handles are NOT intended for protection against electrical shock.

