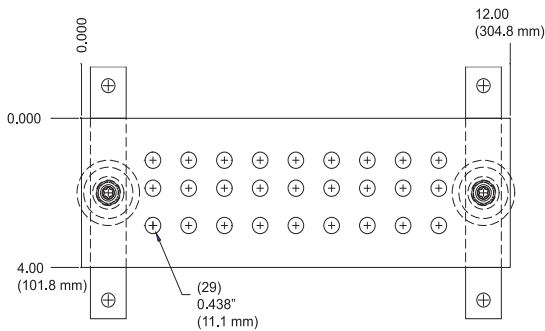
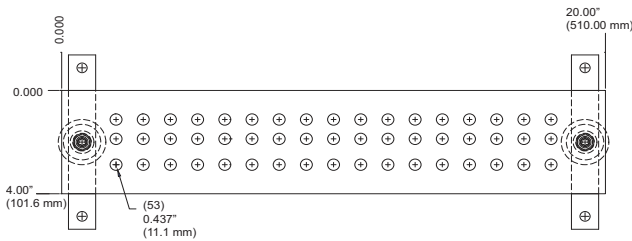


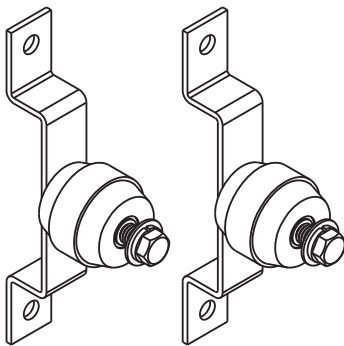
10622-010



10622-012



10622-020



Sold in pairs

Standard Busbars

CPI Standard Busbars are insulated ground bus mounting plates specifically designed for commercial applications. The hard-drawn electrolytic tough pitch 110 alloy solid copper ground bars are 1/4" (6.4 mm) thick and stand off 2.75" (69.9 mm) from the backboard or wall. The 10" (250 mm) Busbar accepts 1/4" single bolt lugs. The 12" and 20" (300 mm and 510 mm) Busbars provide connection for nine or 17 lugs respectively, accepting lugs with either 3/4", 1" or 1-3/4" (19.1 mm, 25 mm or 44.5 mm) center. Any lug with 3/8" bolts may be used.

- All Busbars ship individually and preassembled
- Other configurations available on request
- UL Listed

Each Busbar assembly consists of:

- (1) Busbar
- (2) insulators
- (2) stand-off brackets
- (4) stainless steel bolts with Torx T-45 head
- Order installation hardware separately

Part Number	Description	Size H x W x D in (mm)	Shipping Weight lb (kg)
10622-010	Busbar	4 x 10 x 1/4 (100 x 250 x 6.4)	4 (1.8)
10622-012	Busbar	4 x 12 x 1/4 (100 x 300 x 6.4)	5 (2.3)
10622-020	Busbar	4 x 20 x 1/4 (100 x 510 x 6.4)	8 (3.6)

Overall height with stand-off brackets is 6.63" (168 mm); overall depth is 3.13" (80 mm).

Busbar Insulator Assemblies

CPI also offers standalone Busbar Insulator Assemblies.

- Ships preassembled
- Replaces CPI P/N 13622-000

Pair of assemblies consists of:

- (2) stainless steel bolts, 3/8"W x 5/8"L
- (4) lock washers, 3/8"
- (4) flat washers, 3/8"
- (2) stainless steel bolts, 3/8"W x 3/4"L
- (2) insulators, 1-3/4"W x 1-7/8"D, 3/8" threaded insert
- (2) stainless steel wall brackets, 1"W (25 mm), 1" standoff
- Order installation hardware separately

Part Number	Description	Shipping Weight lb (kg)
10622-000	Busbar Insulator Assemblies, 1 Pair	2 (0.9)