



15 AMP Locking Devices

15 AMP 3Ø 250V 3-Pole 3-Wire Non-Grounding

DESCRIPTION	CAT. NO.	CORD DIA. (inches)	WIRE GAUGE (stranded)	NEMA CONFIG.
Single Flush Receptacle ★	4870**			L11-15R
Single Flush Receptacle, w/Short Strap★	4870-SS			
Locking Plug, Black Nylon Body★	4880-C	.245-.700	10-18	L11-15P
Locking Connector, Black Nylon Body★	4889-C	.245-.700	10-18	

20 AMP Locking Devices

20 AMP 125V 2-Pole 3-Wire Grounding

DESCRIPTION	CAT. NO.	CORD DIA. (inches)	WIRE GAUGE (stranded)	NEMA CONFIG.
V-0-MAX™ Single Flush Receptacle	2310†			L5-20R
V-0-MAX™ Single Flush Receptacle, Isolated Ground	2310-IG†			
Locking Plug, Black Nylon Body	2311	.385-.780	10-18	L5-20P
Lighted Locking Plug, Black Nylon Body	2311-PLC	.385-.780	10-18	
Locking Plug, all Black for Stage and Studio	2311-B	.385-.780	10-18	L5-20P
Lighted Locking Plug, All-Black Nylon Body	2311-PLB	.385-.780	10-18	
Locking Plug, Yellow Nylon Body	2311-CY	.385-.780	10-18	L5-20P
Locking Connector, Black Nylon Body	2313	.385-.780	10-18	
Lighted Locking Connector, Black Nylon Body	2313-PLC	.385-.780	10-18	L5-20P
Locking Connector, all Black for Stage and Studio	2313-B	.385-.780	10-18	
Lighted Locking Connector, All-Black Nylon Body	2313-PLB	.385-.780	10-18	L5-20P
Locking Connector, Yellow Nylon Body	2313-CY	.385-.780	10-18	
Locking Flanged Inlet	2315			
Locking Flanged Outlet	2316			



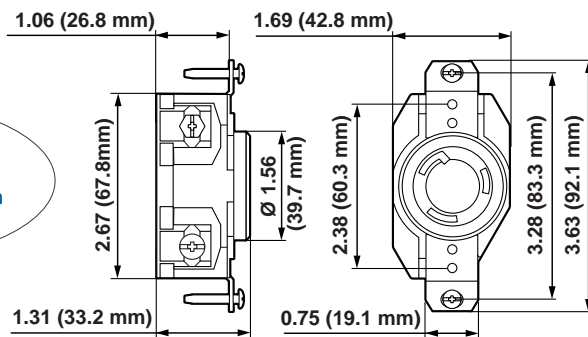
**Uses stainless steel wallplate, Cat. No. 84004-40. †Uses stainless steel wallplate, Cat. No. 84020-40.

For additional wallplate selections, please see Section G.

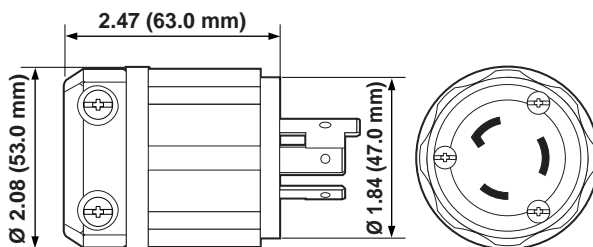
For Corrosion Resistant Locking Devices, please check pages K2-K5

Weather-Resistant Boots for 20A Locking Plugs and Connectors are listed on page J20

All devices are UL Listed. Also CSA certified except where indicated by ★



SINGLE LOCKING RECEPTACLE
Cat. No. 2310



LOCKING PLUG
Cat. No. 2311

SPECIFICATIONS & FEATURES

- V-0-MAX™ Locking Receptacles carry a UL 94 V-0 Flammability Rating, the best rating of any material used in Industrial Locking Flush Receptacle available today
- Locking Plugs and Connectors feature heavy-duty construction for top performance in the environmental extremes of grueling industrial settings
- Flanged Inlets and Outlets are built to endure hard use with rugged nylon flanges that assure a smooth, flush fit and outstanding resistance to cracking and breaking

TESTING & CODE COMPLIANCE

- All receptacles, plugs, connectors, inlets and outlets are designed to meet NEMA WD-6, and ANSI C-73, and to meet/exceed UL 498 standards
- UL Fed Spec. Listed WC-596 (File #E-13399 — Cat. Nos. 4870, 2310, 2316; File #E-13393 — Cat. Nos. 4880-C, 4889-C, 2311, 2313, 2315)
- CSA Certified (File #LR-406)
- NOM Certified (#057)
- Backed by a Lifetime Warranty

MATERIAL CHARACTERISTICS

Environmental: Flammability per UL94 or CSA C22/06 Requirements

Operating Temperature: -40°C to 60°C

