

Maintained and Momentary Contact

Back and Side Wired Maintained Contact 120/277V AC

DESCRIPTION	15 AMP	20 AMP	30 AMP	COLOR*
Single-Pole, Double Throw, Center Off	1281	1285	1287	15A: I, W 20A: I, W, GY 30A: I
Single-Pole, Double Throw, Center Off, Locking†	1281-L	1285-L	1287-L	15, 20 & 30A: Black only
Double-Pole, Double Throw, Center Off	1282	1286	1288	15A: I, W 20A: I, W 30A: I
Double-Pole, Double Throw, Center Off, Locking†	—	—	1288-L	30A: Black only

†Key for Locking Switch: Cat. No. 55500-PRT

Back and Side Wired Momentary Contact 120/277V AC

DESCRIPTION	15 AMP	20 AMP	30 AMP	COLOR*
Single-Pole, Double-Throw, Center Off	1256	1257	1260	15 & 20A: I, W, GY 30A: Brown only
Single-Pole, Double-Throw, Center Off, Locking†	1256-L	1257-L	—	15: I 20A: Black only
Double-Pole, Double-Throw, Center Off	—	—	1262	30A: Brown only

†Key for Locking Switch: Cat. No. 55500-PRT.
All devices are UL Listed and CSA Certified.



1281



1257-L

SPECIFICATIONS & FEATURES

- Single-Pole and Double-Pole versions, toggle or locking
- Positive switching action with center-off position
- Large silver cadmium-oxide contacts for long life, prevent sticking, welding and excessive pitting
- Clamp-type terminals accept up to #10 CU wire
- Full rated current capacity on fluorescent, tungsten and resistive loads; motor load capacity up to 80% switch current rating
- See section T for more technical information

TESTING & CODE COMPLIANCE

- Meets all requirements for NEMA WD-1, ANSI
- UL Listed (File #E-7458)
- CSA Certified (File #LR-3413)
- NOM Certified (#057)
- Backed by a Limited 10-Year Warranty

*COLOR

Basic Cat. Nos. shown above denote Brown color except for Locking Devices (Black). Other colors available as listed, add suffix to catalog number as follows: Ivory (-I), White (-W) and Gray (-GY).

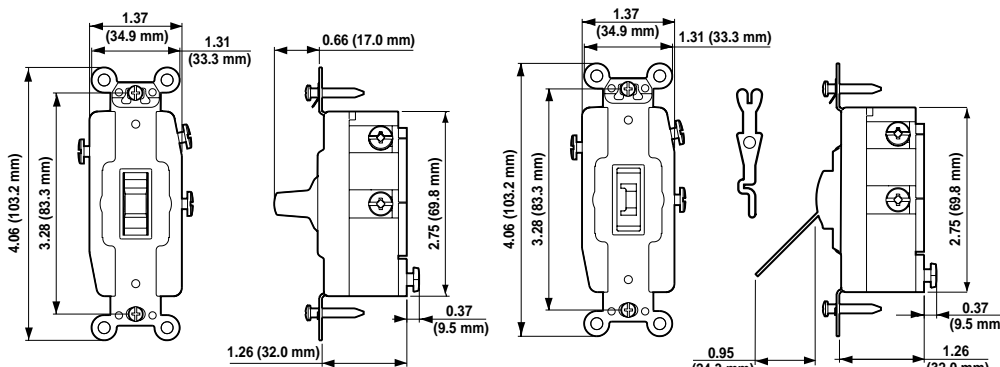
HORSEPOWER

15A	20A	30A
1/2 @ 120V	1 @ 120V	2 @ 120V
2 @ 240V	2 @ 240V	2 @ 240V
2 @ 277V	2 @ 277V	2 @ 277V

MATERIAL CHARACTERISTICS

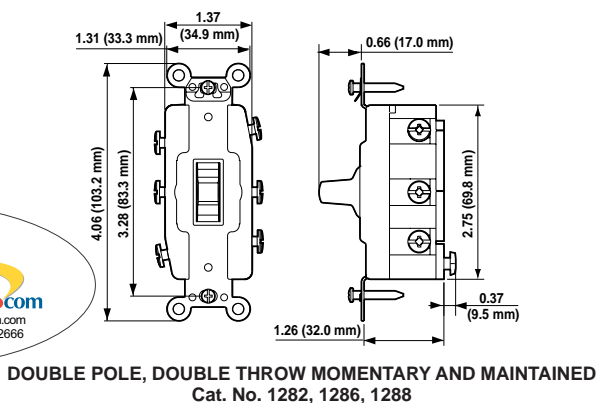
Environmental: Flammability, Rated V2
Operating Temperature: -40°C to 65°C.

For more information regarding matching wallplates, colors, materials, single and multi-gang, refer to Wallplates, section G.



SINGLE-POLE, DOUBLE THROW
Cat. No. 1256, 1257, 1281, 1285, 1287

SINGLE-POLE, DOUBLE THROW LOCKING
Cat. No. 1256-L, 1257-L, 1281-L, 1285-L, 1287-L



DOUBLE POLE, DOUBLE THROW MOMENTARY AND MAINTAINED
Cat. No. 1282, 1286, 1288

Sold by:

<http://www.TWAcomm.com>
 Toll Free: (877) 892-2666