

Power Devices

50 AMP 120/208V 3ØY 4-Pole 4-Wire Non-Grounding

DESCRIPTION	CAT.NO.	WALLPLATE INFORMATION
Flush Mount Receptacle★	8350† 18-50R	Fits wallplates with 2.465" diameter center hole.
Matching Angle Plug★	8352-P 18-50P	



60 AMP 125/250V 3-Pole 4-Wire Grounding

DESCRIPTION	CAT.NO.	WALLPLATE INFORMATION
Flush Mount Receptacle	9460† 14-60R	Fits wallplates with 2.465" diameter hole.
Flush Mount Receptacle Isolated Ground	9460-IG	As above
Matching Angle Plug	9462-P 14-60P	



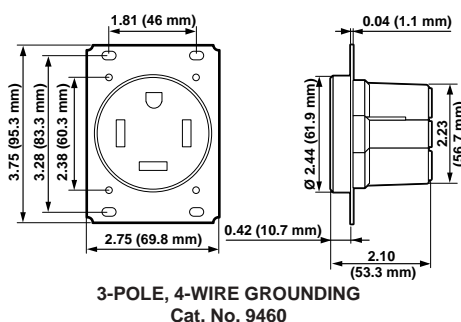
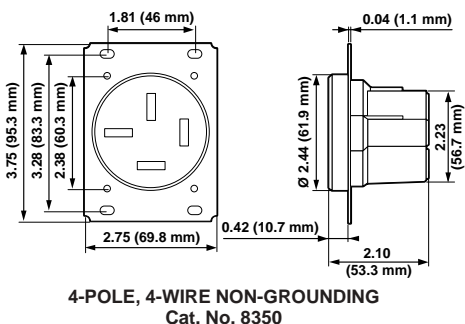
60 AMP 250V 3Ø 3-Pole 4-Wire Grounding

DESCRIPTION	CAT. NO.	WALLPLATE INFORMATION
Flush Mount Receptacle	8460† 15-60R	Fits wallplates with 2.465" diameter hole.
Matching Angle Plug	8462-P 15-60P	

60 AMP 120/208V 3ØY 4-Pole 4-Wire Non-Grounding

DESCRIPTION	CAT. NO.	WALLPLATE INFORMATION
Flush Mount Receptacle★	8360† 18-60R	Fits wallplates with 2.465" diameter hole.
Matching Angle Plug★	8362-P 18-60P	

†Matching single-gang wallplate: Cat. No. S701-40
All devices are UL Listed. Also CSA Certified except where indicated by★



SPECIFICATIONS & FEATURES

- Made of durable thermoplastic
- Heavy-gauge, double-wipe copper alloy contacts
- Easy-to-wire terminals accept up to No. 4 AWG conductors
- Terminal marked for easy identification and fast wiring
- All mounting hardware included
- Flush-mount devices fit single or two-gang outlet boxes
- Surface-mount devices are COMMERCIAL GRADE and have concentric knockouts for 3/4" and 1" conduit and adjustable cord clamp and back and bottom entrance of cable

TESTING & CODE COMPLIANCE

- UL Listed for copper or aluminum conductors (File #E-13399); Angle Plugs (File #E-13393, File #E-3810)
- UL Test 498
- CSA Certified for copper or aluminum conductors (File #152105); CSA Test 42
- NOM Certified (#057)
- Meets NEMA and ANSI standards
- Backed by a Limited 10-Year Warranty

MATERIAL CHARACTERISTICS

Environmental: Flammability, Rated V2
Operating Temperature: From -40° C (without impact) to 75°C maximum continuous

Sold by:

