

**Power Devices**

*50 AMP 125/250V 3-Pole 3-Wire Non-Grounding*

| DESCRIPTION                     | CAT. NO.         | WALLPLATE INFORMATION  |
|---------------------------------|------------------|--|
| <b>Flush Mount Receptacle</b>   | 5206†<br>10-50R  | Fits all wallplates with 2.15" diameter center hole. See Section G for more information. |
| <b>Surface Mount Receptacle</b> | 5050             |  |
| <b>Matching Angle Plug</b>      | 9450-P<br>10-50P |  |

*50 AMP 125/250V 3-Pole 4-Wire Grounding*

| DESCRIPTION                     | CAT. NO.         | WALLPLATE INFORMATION  |
|---------------------------------|------------------|--|
| <b>Flush Mount Receptacle</b>   | 279†<br>14-50R   | Fits all wallplates with 2.15" diameter center hole. See Section G for more information. See page D7 for dimensional drawing |
| <b>Panel Mount Receptacle</b>   | 279-PM           |  |
| <b>Surface Mount Receptacle</b> | 55050            |  |
| <b>Matching Angle Plug</b>      | 9452-P<br>14-50P |  |

*50 AMP 250V 3Ø 3-Pole 4-Wire Grounding*

| DESCRIPTION                                   | CAT. NO.         | WALLPLATE INFORMATION   |
|---|------------------|---|
| <b>Flush Mount Receptacle</b>                 | 8450††<br>15-50R | Fits wallplates with 2.465" diameter center hole. See Section G for more information. |
| <b>Flush Mount Receptacle Isolated Ground</b> | 8450-IG          | As above  |
| <b>Matching Angle Plug</b>                    | 8452-P<br>15-50P |   |

†Matching single-gang wallplate: Cat. Nos. 84206, 84028. Matching Industrial Weather-Resistant cover: Cat. No. WP2.

††Matching single-gang wallplate: Cat. No. S701-40

All devices are UL Listed and CSA Certified.



**SPECIFICATIONS & FEATURES**

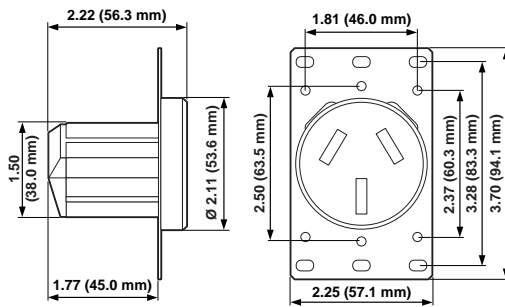
- Made of durable thermoplastic
- Heavy-gauge, double-wipe copper alloy contacts
- Easy-to-wire terminals accept up to No. 4 AWG conductors
- Terminal marked for easy identification and fast wiring
- All mounting hardware included
- Flush-mount devices fit single or two-gang outlet boxes
- Surface-mount devices are COMMERCIAL GRADE and have concentric knockouts for 3/4" and 1" conduit and adjustable cord clamp and back and bottom entrance of cable

**TESTING & CODE COMPLIANCE**

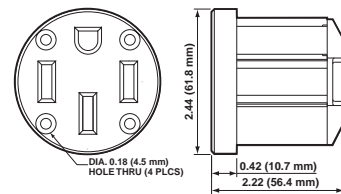
- UL Listed for copper or aluminum conductors (File #E-13399); Angle Plugs (File #E-13393, File #E-3810)
- UL Test 498
- CSA Certified for copper or aluminum conductors (File #152105); CSA Test 42
- NOM Certified (#057)
- Meets NEMA and ANSI standards
- Backed by a Limited 10-Year Warranty

**MATERIAL CHARACTERISTICS**

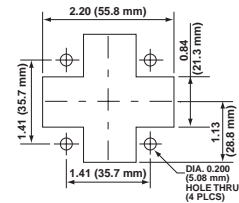
Environmental: Flammability, Rated V2  
Operating Temperature: From -40° C (without impact) to 75° C maximum continuous



**3-POLE, 3-WIRE NON-GROUNDING**  
Cat. No. 5206



**3-POLE, 4-WIRE GROUNDING**  
Cat. No. 279-PM (shown)  
Cat. No. 278-PM (same as 279, except for NEMA configuration)



**RECOMMENDED PANEL CUTOUT**

