



*Back and Side Wired (Basic Cat. No. Denotes Brown Device\*)*

DESCRIPTION	CAT. NO./COLOR 15A/125V	CAT. NO./COLOR 15A/250V	CAT. NO./COLOR 20A/125V	CAT. NO./COLOR 20A/250V
	5-15R	6-15R	5-20R	6-20R
<b>Duplex Receptacle, Brass Strap</b>	5262 I, W, GY, R, E	5662 I	5362 I, W, GY, R, E	5462 I, GY
<b>Single Receptacle</b>	5261 I, W, GY	5661 I	5361 I, W, GY, A, E	5461 I, A, GY
<b>Narrow Body Duplex Receptacle</b>	5252 I, W (No Brown)	—	5352 I, W (No Brown)	—
<b>Single Receptacle, Clockhanger</b>	5261-CH Stainless Steel	—	5361-CH Stainless Steel	—
<b>Duplex Receptacle, Slim Body, Smooth Face</b>	5262-S I, W, GY, R, BU, A	—	5362-S I, W, GY, R, BU, A	—

**Note:** Single Receptacles meet Federal Specifications WC-596 but have a different construction and design than Duplex Receptacles listed above.

*Back and Side Wired — Isolated Ground Receptacles (-IG)  
(Basic Cat. No. Denotes Orange Device\*)*

DESCRIPTION	CAT. NO./COLOR 15A/125V	CAT. NO./COLOR 15A/250V	CAT. NO./COLOR 20A/125V	CAT. NO./COLOR 20A/250V
<b>Slim Design Duplex Receptacle</b>	5262-IG B, I, W, G, R	5662-IG	5362-IG B, I, W, A, G, R	5462-IG
<b>Slim Design, Canadian Version Duplex Receptacle</b>	5262-SIG	—	5362-SIG	—

*Side Wired (Basic Cat. No. Denotes Brown Device\*)*

DESCRIPTION	CAT. NO./COLOR 15A/125V	CAT. NO./COLOR 15A/250V	CAT. NO./COLOR 20A/125V	CAT. NO./COLOR 20A/250V
<b>Duplex Receptacle</b>	5242 I, W, GY, R	—	5342 I, W, GY, R	—
<b>Single Receptacle</b>	5251 I	5651 I, W	5351 I	—

*Back and Side Wired Dual Voltage (Basic Cat. No. Denotes Brown Device\*)*

DESCRIPTION	RATING	CAT. NO.	COLOR
<b>Duplex Receptacle</b>	15A 125V/15A 250V	5292	I

All devices are UL Listed and CSA Certified.



**SPECIFICATIONS & FEATURES**

- Impact-resistant thermoplastic nylon cover and body
- Smooth face does not collect dirt
- Four corner latches securely fasten face
- Locked-in mounting strap
- Large, triple-wipe, brass "T" contacts for superior contact and conductivity
- Back and side-wiring options
- Brass terminal screws to reduce conductor oxidation
- Break-off tabs for easy two-circuit conversion
- Apron barrier to prevent accidental contact between terminal screw heads and metal box
- Exclusive V-shaped, serrated back-wiring clamps for superior contact and conductivity

**TESTING & CODE COMPLIANCE**

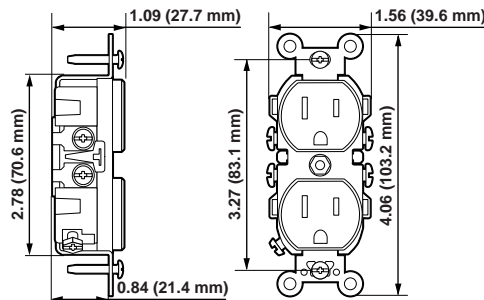
- UL Listed 498 (UL File #13399); UL Federal Specification WC-596
- CSA Certified where applicable (CSA File #LR-406)
- NOM Certified (#057)
- Meets NEMA WD-1 & 6, and ANSI standards
- Backed by a Limited 10-Year Warranty

**\*COLOR**

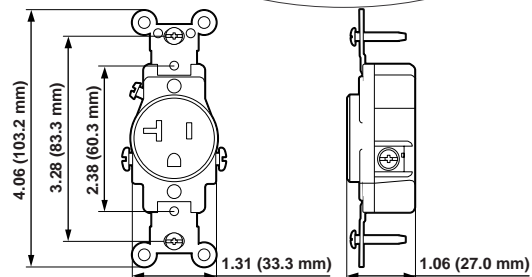
Basic Cat. Nos. shown above denote Brown device, except for Isolated Ground (-IG) devices Basic Cat. No. denotes Orange. Isolated Ground Receptacle is distinguished by an orange triangle on its face. For other color selections, add suffix to the catalog number as follows: Ivory (-I), White (-W), Brown (For IG devices only, add -B), Almond (-A), Gray (-G or -GY), Black (-E), Red (-R) and Blue (-BU).

**MATERIAL CHARACTERISTICS**

Environmental: Flammability, Rated V2  
Operating Temperature: From -40° C (without impact) to 60°C maximum continuous



**BACK & SIDE WIRED**  
Cat. No. 5252



**SINGLE RECEPTACLE**  
Cat. No. 5361