



*Back and Side Wired (Basic Cat. No. Denotes Brown Device\*)*

| DESCRIPTION                                      | CAT. NO./COLOR<br>15A/125V   | CAT. NO./COLOR<br>15A/250V | CAT. NO./COLOR<br>20A/125V   | CAT. NO./COLOR<br>20A/250V |
|--|------------------------------|----------------------------|------------------------------|----------------------------|
|  | 5-15R                        | 6-15R                      | 5-20R                        | 6-20R                      |
| <b>Duplex Receptacle, Brass Strap</b>            | 5262<br>I, W, GY, R, E       | 5662<br>I                  | 5362<br>I, W, GY, R, E       | 5462<br>I, GY              |
| <b>Single Receptacle</b>                         | 5261<br>I, W, GY             | 5661<br>I                  | 5361<br>I, W, GY, A, E       | 5461<br>I, A, GY           |
| <b>Narrow Body Duplex Receptacle</b>             | 5252<br>I, W (No Brown)      | —                          | 5352<br>I, W (No Brown)      | —                          |
| <b>Single Receptacle, Clockhanger</b>            | 5261-CH<br>Stainless Steel   | —                          | 5361-CH<br>Stainless Steel   | —                          |
| <b>Duplex Receptacle, Slim Body, Smooth Face</b> | 5262-S<br>I, W, GY, R, BU, A | —                          | 5362-S<br>I, W, GY, R, BU, A | —                          |

**Note:** Single Receptacles meet Federal Specifications WC-596 but have a different construction and design than Duplex Receptacles listed above.

*Back and Side Wired — Isolated Ground Receptacles (-IG)  
(Basic Cat. No. Denotes Orange Device\*)*

| DESCRIPTION  | CAT. NO./COLOR<br>15A/125V | CAT. NO./COLOR<br>15A/250V | CAT. NO./COLOR<br>20A/125V  | CAT. NO./COLOR<br>20A/250V |
|--|----------------------------|----------------------------|-----------------------------|----------------------------|
| <b>Slim Design Duplex Receptacle</b>                   | 5262-IG<br>B, I, W, G, R   | 5662-IG                    | 5362-IG<br>B, I, W, A, G, R | 5462-IG                    |
| <b>Slim Design, Canadian Version Duplex Receptacle</b> | 5262-SIG                   | —                          | 5362-SIG                    | —                          |

*Side Wired (Basic Cat. No. Denotes Brown Device\*)*

| DESCRIPTION              | CAT. NO./COLOR<br>15A/125V | CAT. NO./COLOR<br>15A/250V | CAT. NO./COLOR<br>20A/125V | CAT. NO./COLOR<br>20A/250V |
|--------------------------|----------------------------|----------------------------|----------------------------|----------------------------|
| <b>Duplex Receptacle</b> | 5242<br>I, W, GY, R        | —                          | 5342<br>I, W, GY, R        | —                          |
| <b>Single Receptacle</b> | 5251<br>I                  | 5651<br>I, W               | 5351<br>I                  | —                          |

*Back and Side Wired Dual Voltage (Basic Cat. No. Denotes Brown Device\*)*

| DESCRIPTION              | RATING            | CAT. NO. | COLOR |
|--------------------------|-------------------|----------|-------|
| <b>Duplex Receptacle</b> | 15A 125V/15A 250V | 5292     | I     |

All devices are UL Listed and CSA Certified.

**SPECIFICATIONS & FEATURES**

- Impact-resistant thermoplastic nylon cover and body
- Smooth face does not collect dirt
- Four corner latches securely fasten face
- Locked-in mounting strap
- Large, triple-wipe, brass "T" contacts for superior contact and conductivity
- Back and side-wiring options
- Brass terminal screws to reduce conductor oxidation
- Break-off tabs for easy two-circuit conversion
- Apron barrier to prevent accidental contact between terminal screw heads and metal box
- Exclusive V-shaped, serrated back-wiring clamps for superior contact and conductivity

**TESTING & CODE COMPLIANCE**

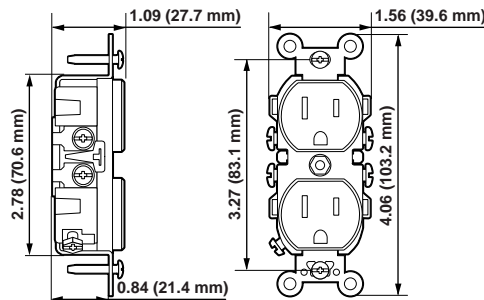
- UL Listed 498 (UL File #13399); UL Federal Specification WC-596
- CSA Certified where applicable (CSA File #LR-406)
- NOM Certified (#057)
- Meets NEMA WD-1 & 6, and ANSI standards
- Backed by a Limited 10-Year Warranty

**\*COLOR**

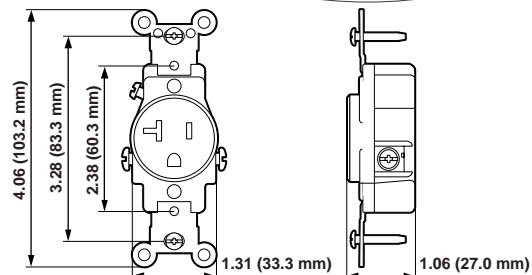
Basic Cat. Nos. shown above denote Brown device, except for Isolated Ground (-IG) devices Basic Cat. No. denotes Orange. Isolated Ground Receptacle is distinguished by an orange triangle on its face. For other color selections, add suffix to the catalog number as follows: Ivory (-I), White (-W), Brown (For IG devices only, add -B), Almond (-A), Gray (-G or -GY), Black (-E), Red (-R) and Blue (-BU).

**MATERIAL CHARACTERISTICS**

Environmental: Flammability, Rated V2  
Operating Temperature: From -40° C (with-out impact) to 60° C maximum continuous



**BACK & SIDE WIRED**  
Cat. No. 5252



**SINGLE RECEPTACLE**  
Cat. No. 5361