

# SA-1

## Surge Arrestor for Aiphone Intercom Systems

**DESCRIPTION:**

The SA-1 is a surge arrestor designed to protect Aiphone intercom systems from damage due to power surges and lightning strikes. It can be used to protect power inputs to all Aiphone DC powered systems, and to protect intercom circuits by dispersing surges on the station wires.

Each SA-1 will protect two intercom station wires and discharge up to 180V of current.

SA-1



**FEATURES:**

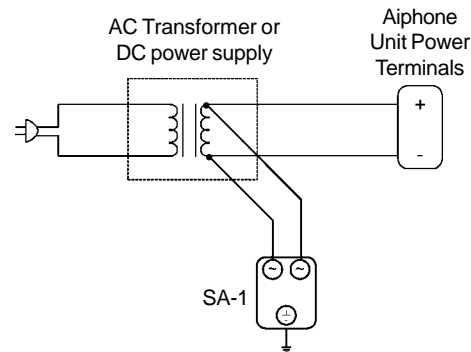
- Helps prevent damage to Aiphone intercoms caused by power surges and lightning strikes
- Discharges up to 180V of surging voltage
- Multiple SA-1's can be used within a system
- Each SA-1 protects two wires connected to intercom
- Easy to install - screw terminal connections
- Small size makes the SA-1 easy to mount and conceal

**Used on the following systems:**

- AP-M
- C-123L/A
- CCS-1A
- IE
- KB, KC
- LEM
- LEF
- MC-60/4A
- MP-S
- MK & MY
- NEM
- Power Supplies
- VC-M
- VY

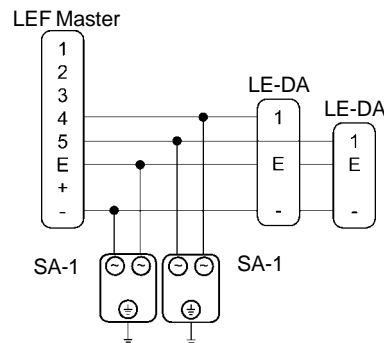
**Example #1: Surge protection on the power line:**

- Install the SA-1's as close as possible to the power source.



**Example #2: Surge protection on the LEF system**

- Each SA-1 handles 2 wires on the LEF system. For best results, protect all the wires connected to the master station with SA-1 surge arrestors.



**SPECIFICATIONS:**

Power: Supplied by master  
 Discharge Voltage: Approx. 180V  
 Isolation Resistance: Approx. 10 Gig Ohms  
 Max. Surge Current: Approx. 2.5K Amp  
 Dimensions (HxWxD): 2-1/8" x 1-3/8" x 7/8"



NOTE: Distance from unit being protected to SA-1 must be shorter than the wire run to the next device.  
 DISCLAIMER: Use of SA-1 does not guarantee absolute protection from power surge damage.