

AC Switches

Pilot Light and Lighted Handle

Back and Side Wired Pilot Light

DESCRIPTION*	15 AMP 120V	20 AMP 120V	30 AMP 120V	20 AMP 277V
Single-Pole	1201-PL	1221-PL	3031-PL✓	1221-7P✓
Double-Pole	1202-PL [†]	1222-PL	3032-PL✓	1222-7P [†]
3-Way	1203-PL	1223-PL	—	1223-7P [†]

Note: Pilot light switches require a neutral wire; lighted handle switches do not require a neutral wire.

*Available toggles for these devices: Clear (-PLC), Red (-PLR), Green (-PLG).

[†]: Available in red toggle only.

✓: Available in ivory or red toggle only.

Back and Side Wired Lighted Handle

DESCRIPTION [†]	15 AMP 120V	20 AMP 120V	30 AMP 120V	20 AMP 277V
Single-Pole	1201-LH	1221-LH	3031-LH*	1221-7L
3-Way	1203-LH	1223-LH	—	1223-7L

Note: Pilot light switches require a neutral wire; lighted handle switches do not require a neutral wire.

[†]Available toggles for these devices: Clear (-LHC), Ivory (-LHI), White (-LHW).

*: Available in ivory toggle only.



SPECIFICATIONS & FEATURES

- Pilot light and lighted handle switches provide top performance in punishing industrial applications
- Lighted handle illuminated when load is off. Pilot light toggle illuminated when load is on.
- 120 and 277V versions in single pole and 3-way
- Fully enclosed switch mechanism in rugged housing for strength, track and arc resistance
- See section T for more technical information

TESTING & CODE COMPLIANCE

- Meets all requirements for NEMA WD-1, ANSI
- Meets Federal Specification WS-896
- UL Listed (File #E-7458)
- CSA Certified (File #152105)
- NOM Certified (#057)
- UL 20 Test and others as appropriate
- Backed by a Limited 10-Year Warranty

HORSEPOWER

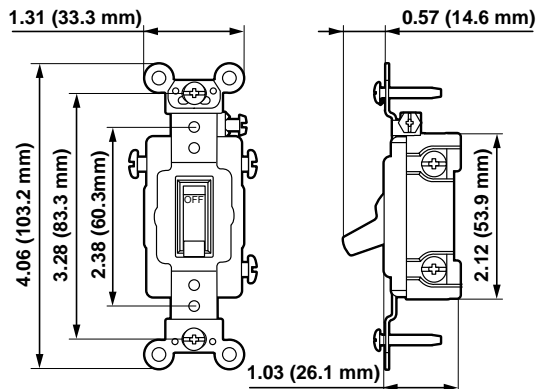
15A	20A	30A
1/2 @ 120V	1 @ 120V	2 @ 120V
2 @ 240V	2 @ 240V	2 @ 240V
2 @ 277V	2 @ 277V	2 @ 277V

MATERIAL CHARACTERISTICS

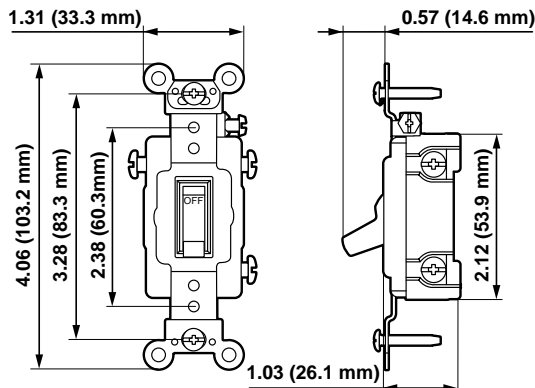
Environmental: Flammability, Rated V2
Operating Temperature: -40°C to 65°C.



For more information regarding matching wallplates, colors, materials, single and multi-gang, refer to Wallplates, section G.



LIGHTED HANDLE (GLOWS WHEN LOAD IS OFF)
Cat. No. 1201-LH, 1221-LH



PILOT LIGHT (GLOWS WHEN LOAD IS ON)
Cat. No. 1201-PLC, 1221-PLC