

# Occupancy Sensor Lighting Controls



## Commercial Grade

### Decora® Wall Switch Infrared Occupancy Sensor (Incandescent or Fluorescent)

DESCRIPTION	CAT. NO.	RATING	COLOR
<b>Decora Wall Switch PIR Occupancy Sensor with Self-Adaptive Technology</b>	ODS15-ID (formerly 6768)	Fluorescent: 1800VA @ 120V, 4000VA @ 277V. Incandescent: 1800W @ 120V. Motor: 1/4 HP @ 120V	I, W, A, G
<b>Decora Wall Switch PIR Occupancy Sensor</b>	ODS10-ID (formerly 16775)	Incandescent: 800W @ 120V, Fluorescent: 1200VA @ 120V, 2700VA @ 277V. For 60 Hz AC only. Motor: 1/4 HP @ 120V	I, W, A, G

### Dual-Relay Decora® Wall Switch Infrared Occupancy Sensor

DESCRIPTION	CAT. NO.	PHOTOCELL CONTROL OPTIONS PER RELAY	RATING	COLOR
<b>Dual-Relay Decora Wall Switch PIR Occupancy Sensor with Self-Adaptive Technology</b>	ODS0D-ID (formerly 6772)	Default Setting: Conference Room Mode Both Primary and Secondary Relays respond to Ambient Light Override. Alternate Setting: Classroom Mode Primary Relay only responds to Ambient Light Override.	Primary Relay: Fluorescent: 1200VA @ 120V, 2700VA @ 277V Incandescent: 800W @ 120V. Secondary Relay: Fluorescent: 800VA @ 120V, 1200VA 277V. Incandescent: 800W @ 120V	I, W, A, G

### Decora® Wall Switch Infrared Occupancy Sensor

DESCRIPTION	CAT. NO.	RATING	COLOR
<b>Decora Wall Switch PIR Occupancy Sensor, Single-Pole &amp; 3-Way, 180° field of view</b>	PR180-1L	Incandescent: 500W, Fluorescent: 400VA Rapid Start Magnetic only @ 120V AC, Motor: 1/8 HP @ 120V AC	I, W, A

## Residential Grade

### Decora® Wall Switch Infrared Occupancy Sensor

DESCRIPTION	CAT. NO.	RATING	COLOR
<b>Decora Wall Switch PIR Occupancy Sensor, Single-Pole, 150° field of view</b>	PR150-1L	Incandescent: 500W, Fluorescent: 400VA Rapid Start Magnetic only @ 120V AC, Motor: 1/8 HP @ 120V AC	I, W, A

All devices are UL Listed and CSA Certified.

#### Wall Switch PIR Occupancy Sensor (ODS10-ID)

- For use in enclosed offices, storage rooms, copier rooms & closets
- One unit can be used for 120V or 277VAC 60Hz incandescent, low-voltage and fluorescent lighting with either magnetic or electronic ballasts, and motor loads.
- 180° field of view
- Fits in standard wallbox; gangable
- Delayed-off time settings: 10, 20 and 30 minutes with 30-second test mode
- Elegant Decora styling; uses Decora wallplate

#### TESTING & CODE COMPLIANCE

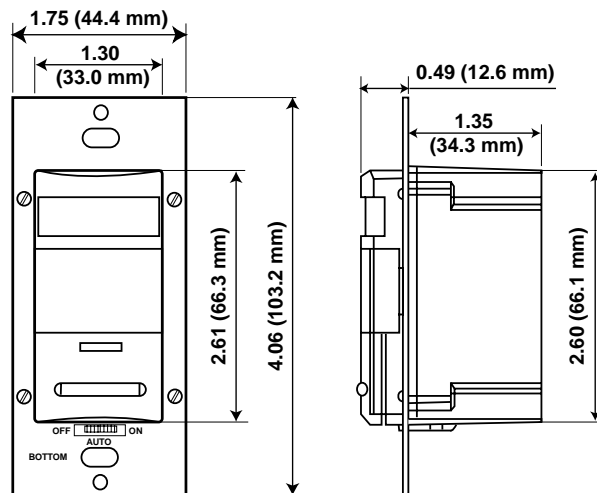
- UL Listed (File #E-118904)
- Cat. No. ODS0D-ID is CUL/US Certified
- CSA Certified (File #LR-91148M)
- NOM Certified (#057)
- Conforms to California Title 24 Energy Code
- Backed by a Limited Five-Year Warranty

#### COLOR

Colors available as listed, add suffix to catalog number as follows: Ivory (-I), White (-W), Gray (-G), Almond (-A).

#### MATERIAL CHARACTERISTICS

Operating Temperature: 0°C to 50°C  
Storage Temperature: -10°C to 85°C  
Relative Humidity: 20% to 90% non-condensing



Cat. No. ODS15-ID

#### SPECIFICATIONS & FEATURES

##### Decora Wall Switch PIR Occupancy Sensor (ODS15-ID)

- For use in small offices, conference rooms, class rooms, stock rooms, lounges, restrooms, warehouses & commercial areas
- Exclusive automatic "Walk-Through" sensing increases energy savings by shutting lights within 2 1/2 minutes after momentary occupancy
- Self-adjusting delayed OFF-time interval compensates for real-time occupancy patterns, preventing unnecessary ON/OFF switching
- 180° field of view, 2100 sq. ft. of coverage

##### Dual-Relay Decora Wall Switch PIR Occupancy Sensor (ODS0D-ID)

- Ideal for class rooms and conference rooms
- Exclusive automatic "Walk-Through" sensing
- Provides automatic switching for 2 separate banks of fluorescent, incandescent, or low-voltage lighting from a single unit
- Self-adjusting delayed OFF-time interval compensates for real-time occupancy patterns, preventing unnecessary ON/OFF switching
- 180° field of view, 2100 sq. ft. of coverage
- Ambient light override prevents these devices from switching lights ON when there is ample natural sunlight
- Push-button manual override is used to turn lights ON at any time, regardless of the override setting

