



# Decora Lighting Controls

## IllumaTech™ Rotary Controls 120V AC 60Hz Only

All IllumaTech Rotary controls combine the ease of a traditional rotary dial with the contemporary look of Leviton Decora®.

DESCRIPTION	CAT. NO.	RATING	COLOR*
IllumaTech Rotary Incandescent, Single-Pole and 3-way, Illuminated	RPI06-1L	600W	I, W, A
IllumaTech Rotary Incandescent, Single-Pole and 3-way, Non-Illuminated	RPI06-10	600W	I, W, A
IllumaTech Rotary Quiet Fan Speed Control, Single-Pole, Non-Illuminated	RTF01-10	1.5 Amp	I, W, A
IllumaTech Rotary Dual Quiet Fan Speed Control and Fixture Dimmer, Single-Pole, Non-Illuminated	RTD01-10	1.5 Amp Fan Control/ 300W Dimmer	I, W, A

All devices are UL Listed and CSA Certified.

Use Leviton Power Extenders to extend the load capacity of box-mounted dimmers. Leviton Power Extenders are available for incandescent, magnetic low-voltage, electronic low-voltage, Advance Mark X™ fluorescent dimming ballasts or equivalents, and 0-10 VDC dimmable fluorescent ballasts such as Advance Mark VII™, OSRAM Sylvania Quicktronic Helios or equivalent ballasts.

See Page O6 for more information on Leviton Power Extenders



RPI06-1LW in 80301-W



RTD01-10W in 80301-W

### SPECIFICATIONS & FEATURES

- Combines traditional rotary dial with contemporary Decora styling
- Dimmers provide single-pole (one-location) or multi-location (3-way) control when used with a 3-way switch
- Dimmers available in illuminated and non-illuminated versions
- Quiet 1.5 Amp Fan Speed Controls are perfect for libraries, study rooms and any area where ceiling fan noise could become distracting
- Dual fan speed control and dimmer is ideal for ceiling fans with built-in light fixtures
- Attractive Decora styling coordinates perfectly with Leviton's complete line of Decora wiring devices
- Compatible with Decora Plus screwless and Decora standard designer wallplates
- Built-in radio/TV interference filter
- Slim, compact housing fits easily into a standard wallbox and is suitable for multi-gang installations

### TESTING & CODE COMPLIANCE

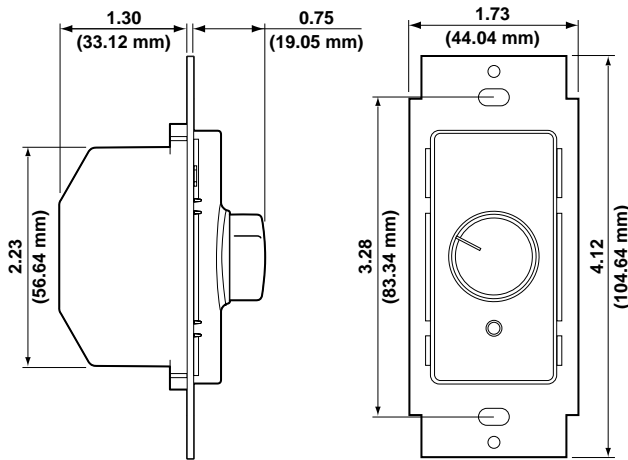
- UL Listed (File #E-31373)
- CSA Certified (File #LR-3413)
- NOM Certified (File #057)
- Backed by a Limited Two-Year Warranty

### \*COLOR

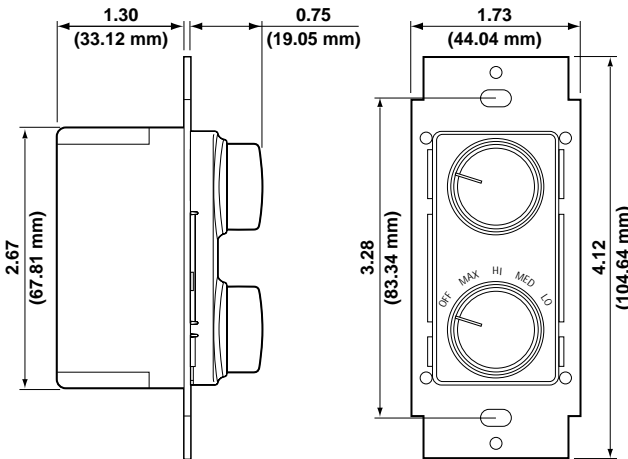
Add suffix to catalog number as follows to indicate color selection: Ivory (-I), White (-W) and Almond (-A).

### MATERIAL CHARACTERISTICS

Environmental: Flammability UL-94, V2 Rating  
Operating Temperature: 32°F to 130°F



ILLUMATECH ROTARY INCANDESCENT  
Cat. No. RPI06-1L



ILLUMATECH ROTARY DUAL QUIET FAN SPEED CONTROL/FIXTURE DIMMER  
Cat. No. RTD01-10

