



Decora Lighting Controls

IllumaTech™ Preset Slide Controls — Single Pole and 3-Way, with LED Locator All IllumaTech Preset Dimmers provide single-pole (one location) and 3-way (multi-location) control when used with a 3-way switch.

DESCRIPTION	CAT. NO.	RATING	COLOR CHANGE KIT*
IllumaTech Incandescent	IPI06-1LW	600W 120V AC 60 Hz	I, W, A, G, E, B
IllumaTech Incandescent (no LED locator)	IPI06-10W	600W 120VAC 60 Hz	I, W, A, G, E, B
IllumaTech Incandescent	IPI10-1LW	1000W 120VAC 60 Hz	I, W, A, G, E, B
IllumaTech Electronic Low-Voltage	IPE04-1LW	400VA (300W) 120V AC 60 Hz	I, W, A, G, E, B
IllumaTech Magnetic Low-Voltage	IPM06-1LW	600VA (450W) 120V AC 60 Hz	I, W, A, G, E, B
IllumaTech Magnetic Low-Voltage	IPM10-1LW	1000VA (750W) 120V AC 60 Hz	I, W, A, G, E, B
IllumaTech Advance Mark VII™ Fluorescent Dimming Ballast	IP710-DLW	1200VA (900W) @ 120V AC 60Hz, 1500VA (1125W) @ 277V AC 60Hz	I, W, A, G, E, B
IllumaTech Advance Mark X™ Fluorescent Dimming Ballast	IPX06-1LW	600VA (450W) 120V AC 60 Hz	I, W, A, G, E, B
IllumaTech Advance Mark X™ Fluorescent Dimming Ballast	IPX10-1LW	1000VA (750W) 120V AC 60 Hz	I, W, A, G, E, B
IllumaTech Advance Mark X™ Fluorescent Dimming Ballast	IPX06-7LW	600VA (450W) 277V AC 60Hz	I, W, A, G, E, B
IllumaTech Advance Mark X™ Fluorescent Dimming Ballast	IPX12-7LW	1200VA (900W) 277V AC	I, W, A, G, E, B
IllumaTech Quiet Fan Speed Control	IPF01-1LW	1.5 Amps 120V AC 60 Hz	I, W, A, G, E, B
IllumaTech Fan Speed Control	IPF05-1LW	5 Amps 120V AC 60 Hz	I, W, A, G, E, B
IllumaTech Color Change Kit	IPKIT-00W	—	I, W, A, G, E, B
IllumaTech Color Change Kit for Quiet Fan Speed Control	IPQFK-00W	—	I, W, A, G, E, B



IPI06-1LW in 80301-W

Use Leviton Power Extenders to extend the load capacity of box-mounted dimmers. Leviton Power Extenders are available for incandescent, magnetic low-voltage, electronic low-voltage, Advance Mark X™ fluorescent dimming ballasts or equivalents, and 0–10 VDC dimmable fluorescent ballasts such as Advance Mark VII™, OSRAM Sylvania Quicktronic Helios or equivalent ballasts.

See Page O6 for more information on Leviton Power Extenders

SPECIFICATIONS & FEATURES

- Fluid slide movement allows fine adjustment of light level with minimum effort
- Captured, wrap-around slide bar stays in place and cannot fall off during use
- Preset versions provide easy-to-use pushbutton switch with locator LED conveniently positioned on it, making the pushbutton easier to find in the dark
- Preset versions provide single-pole (one-location) and multi-location lighting control when used with a 3-way switch
- Attractive Decora styling blends with any interior
- Compatible with Decora screwless and Decora standard designer wallplates
- Locator LED is illuminated when lights are OFF. LED is positioned in the same location on both Preset and Non-Preset versions, giving a true “family look” to IllumaTech
- Power failure recovery ensures retention of last setting before power interruption
- Built-in radio/TV interference filter
- Quiet 1.5 Amp Fan Speed Controls are ideal for libraries, study rooms and any area where ceiling fan noise could become distracting. Full range 5-amp fan speed controls also available
- Color change kits feature a self-aligning mechanism that automatically connects it to internal slider
- Snap-On Color Change Kits allow color changes on any device, eliminating the need to stock a separate device for every available color

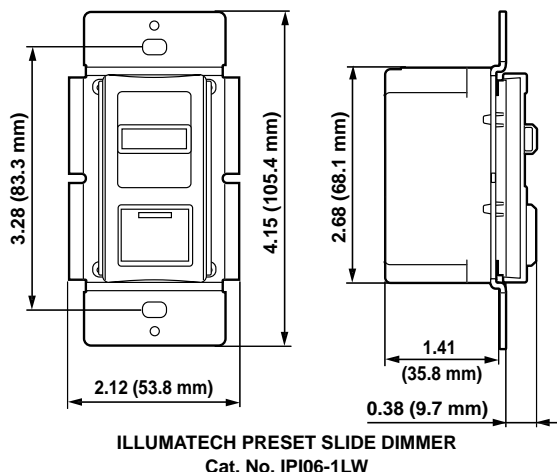
IllumaTech™ Preset Slide Controls— Single Pole and 3-Way, with LED Locator 220V AC 50Hz Only

DESCRIPTION	CAT. NO.	RATING	COLOR CHANGE KIT*
IllumaTech Incandescent	IPI06-2LW	600W	W, I, A, G, E, B
IllumaTech Incandescent	IPI10-2LW	1000W	W, I, A, G, E, B
IllumaTech Magnetic Low-Voltage	IPM06-2LW	600VA (450W)	W, I, A, G, E, B
IllumaTech Quiet Fan Speed Control	IPF01-2LW	1.5 Amps	W, I, A, G, E, B

Note: 220V devices are not UL Listed or CSA Certified

Note: Sharing a neutral wire may cause flickering. Connect all dimmers to the same phase or run a separate neutral to each phase. Consult Leviton Techline if problems persist.

CAUTION ON RETROFITS: When retrofitting Mark X dimming ballasts into fixtures that originally had Instant Start ballasts, the sockets MUST be replaced with Rapid Start sockets to allow proper dimmer operation and prevent damage to the dimming ballast. Refer to the instructions provided with the ballast and the Leviton Mark X dimmer.



TESTING & CODE COMPLIANCE

- UL Listed (File #E-31373)
- CSA Certified (File #LR-3413)
- Backed by a Limited Two-Year Warranty

*COLOR

Basic Cat. No. denotes White device. For other colors, order Color Change Kits and add suffix as follows: Ivory (-I), White (-W), Gray (-G), Black (-E), Almond (-A), and Brown (-B).

MATERIAL CHARACTERISTICS

Environmental: Flammability UL-94, V2 Rating
Operating Temperature: 32°F to 130°F

