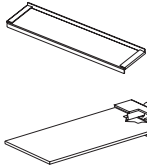
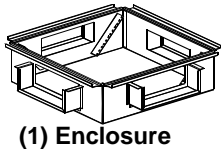


INSTRUCTIONS CM227

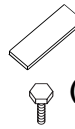
© Panduit Corp. 2006

The following items are included.



(2 or 4) Cable Entry Port Covers

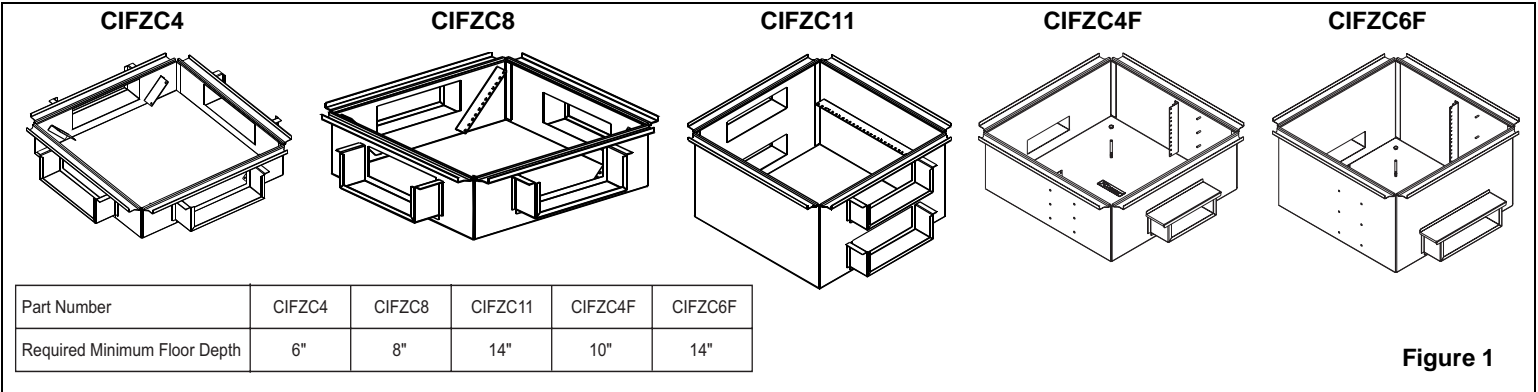
(4) Support Brackets, with Washers and Nuts



(4) Leveler Bolts

Required Tools

- 7/16" Open End Wrench
- 1/2" Open End Wrench
- Phillips Head Screw Driver
- Slotted Screw Driver



Installation: (for floors with stringers)

1. Select the installation location ensuring there are no obstacles to interfere with the installation.
2. Remove five tiles from the floor in the shape of a "+" (See Figure 2).
3. Remove the two adjacent stringers that run between the supports

Installation Location

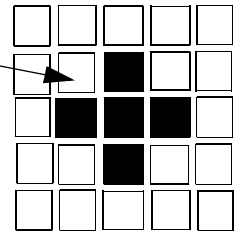
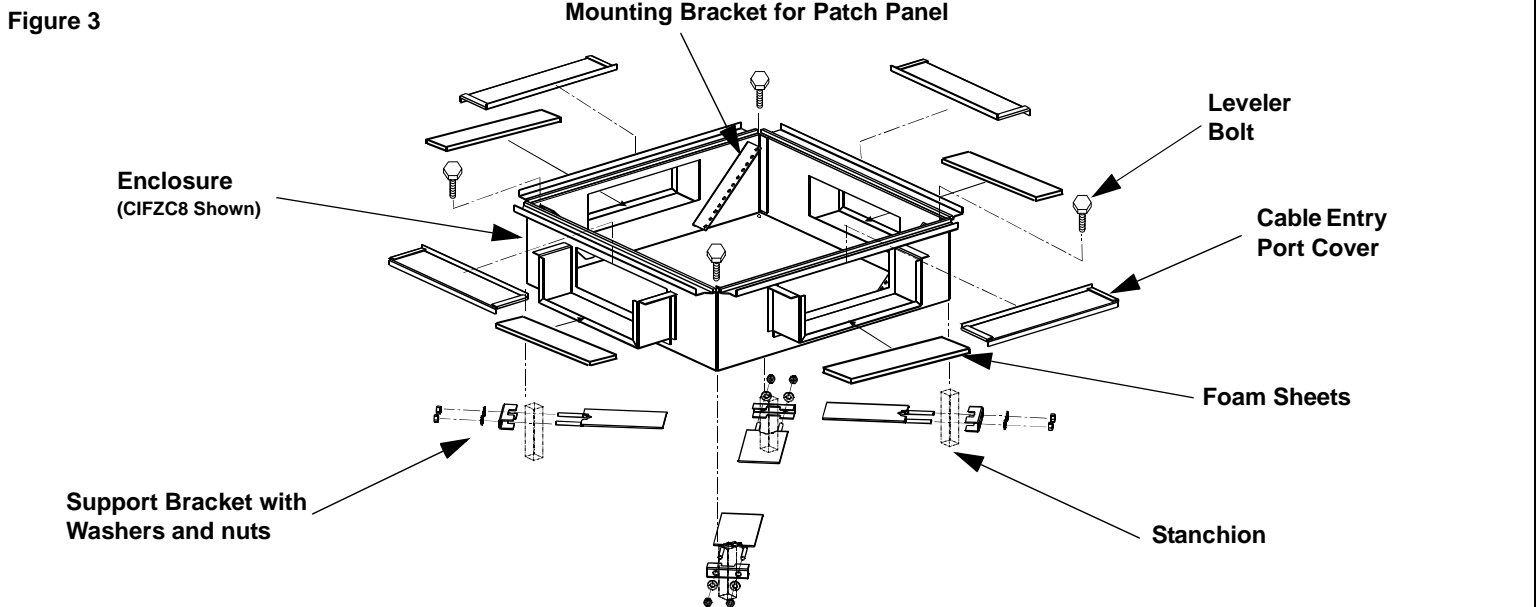


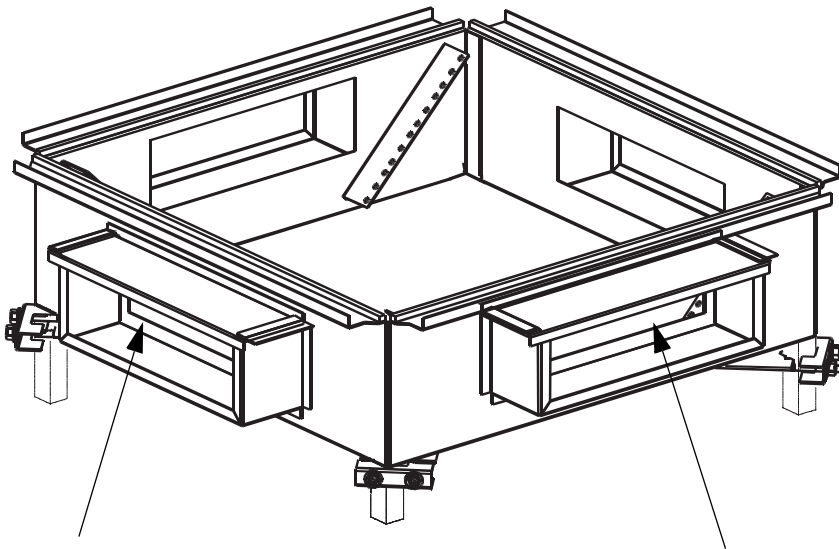
Figure 2



4. Mount the four support brackets under the enclosure by placing one on each corner support stanchion. Point them towards the center making a cross from the corners (See Figure 3). The brackets must be mounted low enough for the enclosure to clear the floor.

5. Locate the enclosure by tilting the unit at an angle allowing clearance of the opening and place it on the support brackets. The lip of the box is resting against the stringers with the weight of the box supported by the support brackets.

6. Replace the stringers and tighten the screws. Center the enclosure by sliding the unit up the support stanchions. Tighten the nuts on the support brackets. Use the leveler bolts to level and snug up the enclosure against the stringers. Insert the foam in the cable entry ports and slide the cover in place. Replace the tiles after cabling and equipment are installed. The floor tile serves as an access door to the equipment.



Recommended (optional) Panduit parts:

Modular Patch Panels

- UICMPP24BLY
- UICMPP48BLY
- CPP24FMWBLY
- CPP48FMWBLY
- CPP48HDWBLY
- CPP72FMWBLY
- CPP24WBLY
- CPPL24WBLY
- CPP48WBLY
- CPPL48WBLY

To ensure proper installation, the foam is layered tightly around the cables in the cable entrance and exit ports with foam sheets provided (See Figure 6).

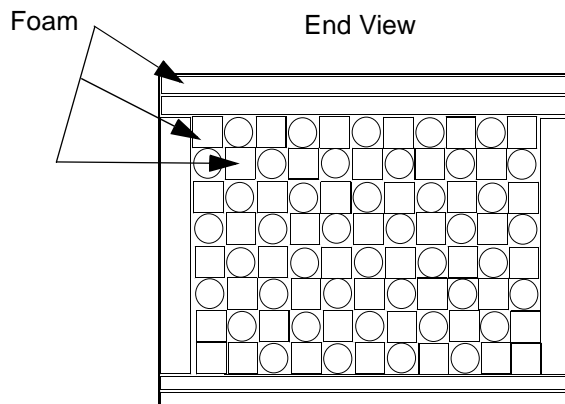


Figure 6



For instructions in Local Languages
and Technical Support:

www.panduit.com/resources/install_maintain.asp



www.panduit.com

E-mail:
cs@panduit.com
Fax:
(708)444-6448