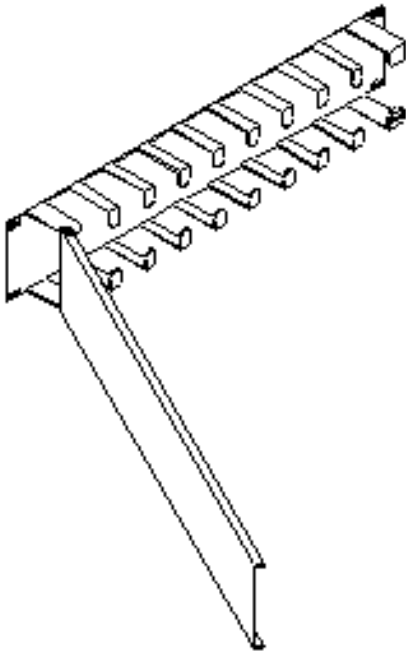


Horizontal Cable Management Panel



Features

- 19- or 23-inch relay rack cable management plate
- Retained hinge cover with positive latch mechanism eliminates "lost" covers while providing easy access
- Two inch deep finger slots provide fanning of individual cables for a more professional finish

Specifications

- All steel construction
- Available in black powder coated finish

Ordering Information

SWE719	Cable Management Panel 19" RM (2 Rack Space)
SWE719-23	Cable Management Panel 23" RM (2 Rack Space)

Note: 1 rack space is 1¾ inches high.

Copyright © 2004 Southwest Data Products

