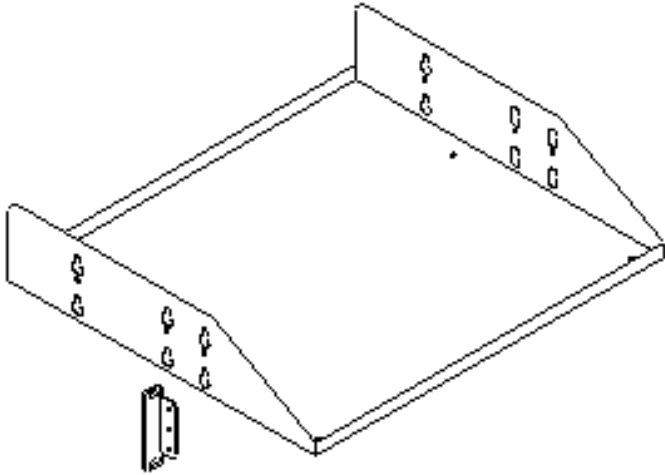


## Equipment Shelf



### Features

- 19-inch relay rack mount
- Formed construction for strength
- Shelf depth of 15.50"
- Multiple rack mounting positions
- 150 lb weight capacity
- Colors available (Color code):

ASA 61 Gray (G)

Black (BLK)

### Specifications

- 16 gauge carbon steel formed construction
- Mounting holes on standard EIA spacing
- 150 lb distributed weight capacity

### Ordering Information

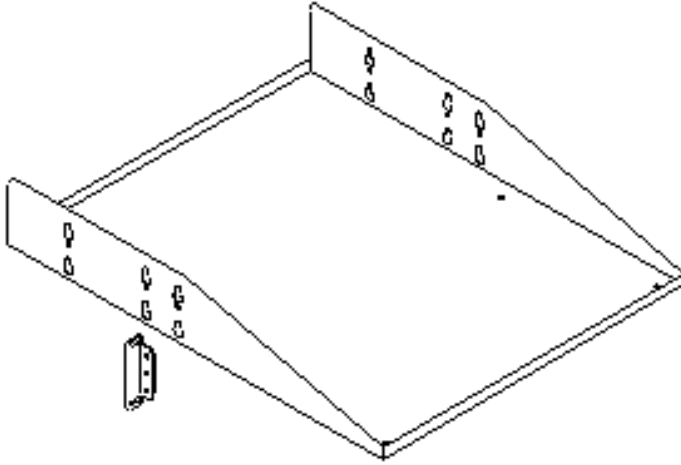
SWE193      Equipment Shelf 19" Rack  
3.5"H x 17.38"W x 15.50"D

**To order:** Add color code to end of part number, e.g. SWE193BLK

Copyright © 2004 Southwest Data Products



## Equipment Shelf



### Features

- 19-inch relay rack mount
- Formed construction for strength
- Shelf depth of 21.75"
- Multiple rack mounting positions
- 150 lb weight capacity
- Colors available (Color code):

ASA 61 Gray (G)  
Black (BLK)

### Specifications

- 16 gauge carbon steel formed construction
- Mounting holes on standard EIA spacing
- 150 lb distributed weight capacity

### Ordering Information

SWE193          Equipment Shelf 19" Rack  
3.5"H x 17.38"W x 21.75"D

**To order:** Add color code to end of part number,  
e.g. SWE194BLK

Copyright © 2004 Southwest Data Products

