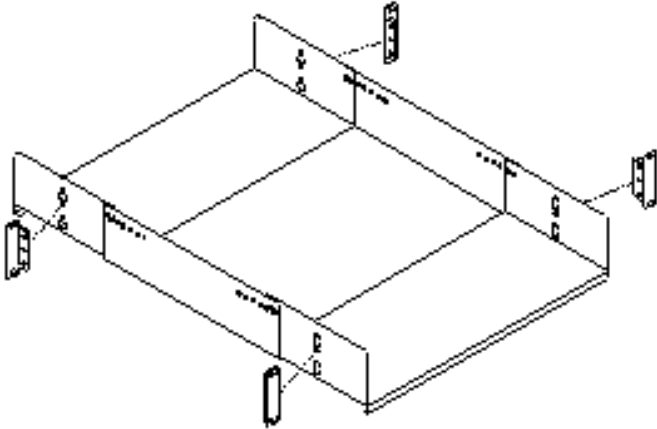


## Four Post Rack Adjustable Equipment Shelf



### Features

- 19" four post relay rack mounting
- Formed construction for strength
- Shelves are adjustable from 15" to 20" deep
- 200 lb weight capacity per shelf
- Mounted to all four uprights

### Specifications

- Sturdy 16 gauge steel construction
- Available in black powder coated finish

### Ordering Information

SWE1520BLK Four Post Rack Adjustable  
Equipment Shelf  
(Fits Rack  
SWE04-841520BLK)

Copyright © 2004 Southwest Data Products

