

Residential Grade

Decora AC Quiet Rocker Switches

15 AMP Quickwire Push-In and Side Wired 120/277V AC

DESCRIPTION	CAT. NO.	ROCKER/FRAME COLOR*
Single-Pole	5601	Mahogany
	5601-I	Ivory
	5601-W	White
	5601-2A	Almond
	5601-2E	Ebony
	5601-2GY	Gray
Double-Pole	5602-2	Mahogany
	5602-2I	Ivory
	5602-2W	White
	5602-2GY	Gray
	5602-2A	Almond
	5602-2E	Ebony
Three-Way	5603	Mahogany
	5603-I	Ivory
	5603-W	White
	5603-2A	Almond
	5603-2E	Ebony
	5603-2GY	Gray
Four-Way	5604-2	Mahogany
	5604-2I	Ivory
	5604-2W	White
	5604-2A	Almond
	5604-2E	Ebony
	5604-2GY	Gray

Note: To order Decora rocker switches with grounding screw add suffix -2 (e.g. 5601-2)
All devices are UL Listed and CSA Certified.



5601-I in 80301-I



5601-2GY in 80301-GY

SPECIFICATIONS & FEATURES

- Switch frame shields against dust and fits in wallplate to prevent rocker binding
- Side Wire and Quickwire (No.12 or No.14 copper or copper-clad wire) push-in terminal wiring options
- Sturdy construction for long service life
- Full rated current capacity with tungsten, fluorescent or resistive loads. Motor capacity is 80% of switch rating
- Conform to all NEMA standard specifications

TESTING & CODE COMPLIANCE

- UL Listed (File #E-7458)
- CSA Certified (File #LR-3413)
- NOM Certified (#057)
- Backed by a Limited Two-Year Warranty

*COLOR

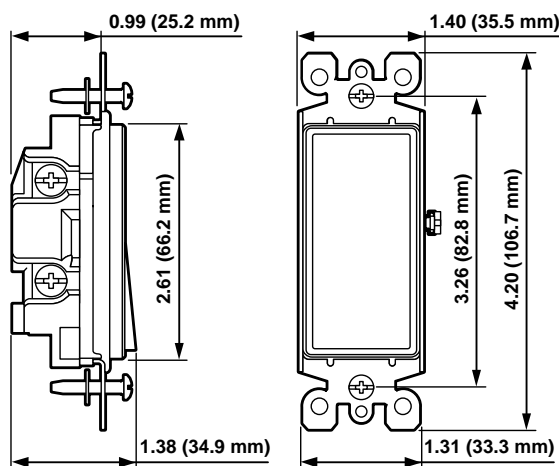
Rocker/Frame colors available as listed.

HORSE POWER

15A
1/2 @ 120V
2 @ 240V

MATERIAL CHARACTERISTICS

Environmental: Flammability UL-94, V2 Rating
Operating Temperature: -40°C to 120°C



DECORA AC QUIET ROCKER SWITCHES
Cat. Nos. 5601, 5602, 5603, 5604



For more information regarding matching wallplates, colors, materials, single and multi-gang, refer to Wallplates, section G.