

DECORA PLUS Illuminated and Pilot Light Switches



Commercial Grade

20 AMP Back and Side Wired Illuminated (Illuminated when load is OFF—Does not require a neutral wire)

DESCRIPTION	CAT. NO.	COLOR*
Single-Pole, 120V AC	5631-2	I, W, A, E
Three-way, 120V AC	5633-2	I, W, A
Single-Pole, 277V AC	5649-2	I, W
Three-way, 277V AC	5659-2	W

20 AMP Back and Side Wired Pilot Light (Illuminated when load is ON—Requires a neutral wire)

DESCRIPTION	CAT. NO.	COLOR*
Single Pole, 120V AC	5628-2	I, W, A
Three-way, 120V AC	5638-2	I, W, A
Single Pole, 277V AC	5629-2	I, W
Three-way, 277V AC	5639-2	W

All devices are UL Listed and CSA Certified.



SPECIFICATIONS & FEATURES

- 20A, 120 and 277V single-pole and 3-way versions
- Pilot Light rocker visible when ON even in bright light
- Back and side-wiring terminals accept both solid and stranded wire to ease installation
- Two ground connection options: a green grounding screw and a self-grounding clip

TESTING & CODE COMPLIANCE

- UL Listed (File #E-7458)
- CSA Certified (File #LR-3413)
- NOM Certified (#057)
- Compliance with the latest Federal Specification WS-896
- Backed by a Limited 10-Year Warranty

*COLOR

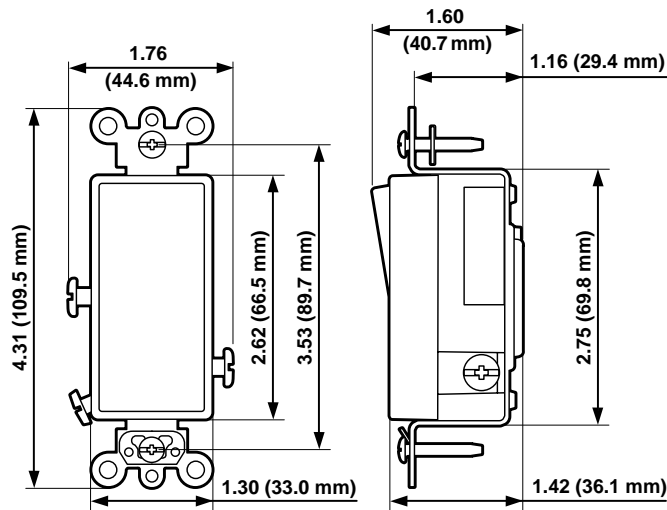
Colors available as listed. For other color selections, add suffix to catalog numbers as follows: Ivory (-I), White (-W), Almond (-A), Black (E).

HORSE POWER

20A
1 @ 120V
2 @ 240V

MATERIAL CHARACTERISTICS

Environmental: Flammability UL-94, V2 Rating
Operating Temperature: -40°C to 120°C



THESE DIMENSIONS APPLY TO ALL SWITCHES ON THIS PAGE

For more information regarding matching wallplates, colors, materials, single and multi-gang, refer to Wallplates, section G.

