

Decora AC Quiet Rocker Switches



Residential Grade

*Quickwire and Side Wired Illuminated 15 AMP 120/277V AC
(Illuminated when load is OFF-Does not require a neutral wire)*

DESCRIPTION	CAT. NO.	COLOR*
Single Pole	5611-I	Ivory
	5611-W	White
	5611-2A	Almond
Three-Way	5613-I	Ivory
	5613-W	White
	5613-2A	Almond
Four-Way	5614-2I	Ivory
	5614-2W	White
	5614-2A	Almond

Note: To order Decora rocker switches with grounding screw add suffix -2 (e.g. – 5611-2I)

*Quickwire and Side Wired Pilot Light 15 AMP 120V AC
(Illuminated when load is ON-Requires a neutral wire)*

DESCRIPTION	CAT. NO.	COLOR
Single Pole	5618-2	I, W, A

Quickwire and Side Wired Imprinted 15 AMP 120/277V AC

DESCRIPTION	CAT. NO.	STOCK MESSAGES AVAILABLE
Single Pole, Ivory, Stock or Custom Imprinted	5601-Z2I	FAN, DISPOSAL, OILBURNER
Single Pole, White, Stock or Custom Imprinted	5601-Z2W	FAN, DISPOSAL, OIL BURNER

All devices are UL Listed and CSA Certified.



5611-I in 80301-I



5618-2A in 80301-A

SPECIFICATIONS & FEATURES

- Illuminated Switch rocker illuminated when load is OFF
- Pilot Light switch rocker visible when ON even in bright light
- Switch border shields against dust and fits in wallplate to prevent rocker binding
- Side-wiring terminals accept both solid and stranded wire to ease installation
- Full rated current capacity with tungsten, fluorescent or resistive loads. Motor capacity is 80% of switch rating
- Conform to all NEMA standard specifications

Imprinted Decora Switches

- Stock Decora switches available with choice of three imprints on rocker: FAN, DISPOSAL, OIL BURNER

TESTING & CODE COMPLIANCE

- UL Listed (File #E-7458)
- CSA Certified (File #LR-3413)
- NOM Certified (#057)
- Backed by a Limited Two-Year Warranty

*COLOR

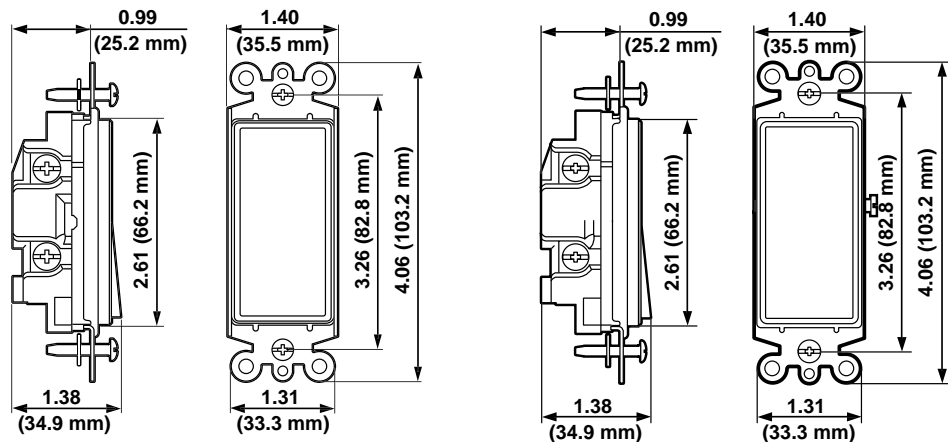
Quickwire and Side Wired – Illuminated and Pilot Light
For color choice add suffix as follows: Ivory (-I), White (-W), Almond (-A).

HORSE POWER

15A
1/2 @ 120V
2 @ 240V

MATERIAL CHARACTERISTICS

Environmental: Flammability UL-94, V2 Rating
Operating Temperature: -40°C to 120°C



ILLUMINATED
Cat. No. 5611

PILOT LIGHT
Cat. No. 5618-2I

For more information regarding matching wallplates, colors, materials, single and multi-gang, refer to Wallplates, section G.

