

Commercial Grade

AC Quiet Switches

Side Wired Lighted Toggle 15 AMP 120V AC Only

DESCRIPTION	CAT. NO.	COLOR*
Single-Pole Lighted Toggle	5501-LH	15A: I, W
3-Way Lighted Toggle	5503-LH	15A: I, W

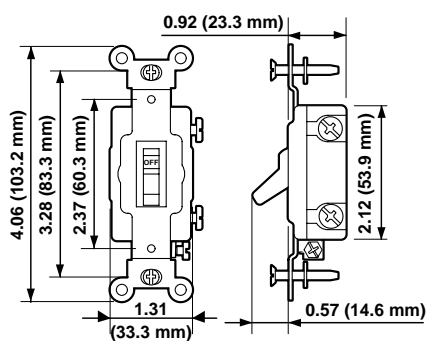
Surface Mounting, Bottom Wired 10 AMP 125V 5 AMP 250V Framed Toggle

DESCRIPTION	CAT. NO.	COLOR** <small>Basic Cat. No. Denotes Brown</small>
Single-Pole, Surface Mounting, Framed Toggle • Slotted phenolic or urea cover snaps in place • Wood screw furnished for surface mounting	1210	I, W

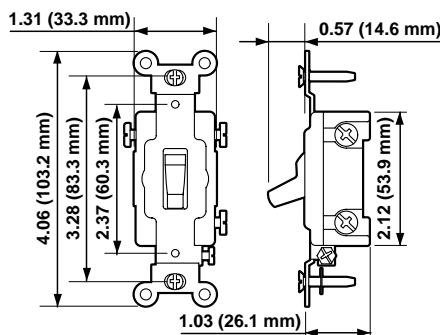
Side Wired Canadian 15 AMP 347V AC

DESCRIPTION	CAT. NO.	COLOR** <small>See Canadian Color</small>
Single-Pole, Framed Toggle	18201-C	15A: I, W, B, G
Double-Pole, Framed Toggle	18202-C	15A: I, W, B, G
3-Way, Framed Toggle	18203-C	15A: I, W, B, G
4-Way, Framed Toggle	18204-C	15A: I, W, B, G

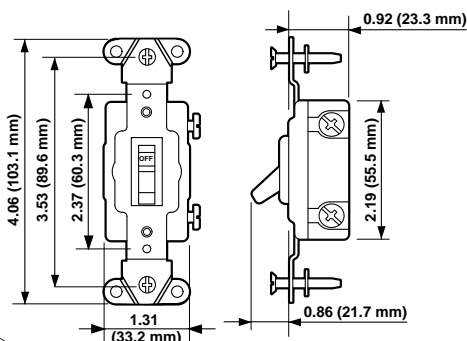
All devices are UL Listed and CSA Certified.



LIGHTED TOGGLE
Cat. No. 5501-LH



3-WAY LIGHTED TOGGLE
Cat. No. 5503-LHW



CANADIAN 347V
Cat. No. 18201-C

SPECIFICATIONS & FEATURES

- Quiet, reliable mechanical action
- Large head double-drive combination screws (Standard, Phillips) for fast wiring installation
- Accept up to #10 copper or copper-clad wire
- Large switch contacts for maximum conductivity
- See section T for more technical information

TESTING & CODE COMPLIANCE

- UL listed to meet the latest Federal Specification, WS-896 (File #E-748)
- Meets all requirements for NEMA WD-1, ANSI
- CSA Certified (File #LR-3413)
- NOM Certified (#057)
- Backed by a Limited 10-Year Warranty

*COLOR

Basic Cat. Nos. shown above denote Brown color except for Lighted Toggle Switches. Other colors available as listed, add suffix to catalog number as follows: Ivory (-I), White (-W).

**CANADIAN COLOR

For color selection, add suffix to catalog number as follows: Ivory (-I), White (-W), Brown (-B), and Gray (-G)

HORSEPOWER

15A
1/2 @ 120V
2 @ 240V
2 @ 347V

MATERIAL CHARACTERISTICS

Environmental: Flammability, Rated V2
Operating Temperature: -40°C to 65°C.

For more information regarding matching wallplates, colors, materials, single and multi-gang, refer to Wallplates, section G.

