

Universal Mini DC Power Supply

APPLICATION

The Universal Mini DC Power Supply easily drops into knockouts located in the bottom panel of Leviton's Series 140, 280 and 420 Structured Media™ enclosures, providing a 12V DC power source for up to 3 devices. The power supply will operate with any incoming AC voltage in the range of 90V to 264V.

STANDARDS COMPLIANCE

Meets all applicable standards: UL 1950, cULus Listed confirms to normalized site attenuation limits and construction specifications (EMI/RFI filtering) as set in the EN 55022, CSRP 16 & 22, and ANSI C63.4 documents. Includes C-Tick, ACA, NOM, China and CE requirements.

PHYSICAL SPECIFICATIONS

Dimensions:

Top Cover: 4.5"H x 2.625"W
Enclosure: 3.0"H x 2.0"W x 2.5"D

Color:

White painted cover
Black DC connector cables

Environment:

Operating Temperature: -10C to 60C
Storage Temperature: -20 to 85C

ELECTRICAL SPECIFICATIONS

Input AC Voltage Rating: 90-264V AC
Input AC Current: 1 Amp, max
DC Power Output Rating: 10 Watts, approximate
Source Frequency: 47/63 Hz
DC Outputs: 3 Outputs at 12V DC \pm 10%;
Max current = 833 mA, 10 Watts (total)
Inrush Current: < 20 Amp @ 115 VAC
< 40 Amp @ 230 VAC
Efficiency: >75% Typical
LED: One green LED to indicate DC Power is available.
Short Circuit: Continuous
Surge Protection:
Maximum Continuous
Operating Voltage (MCOV): 300VAC
Clamping Voltage: 775Vpk
Surge Current Rating: 1800 Amps
Joule Rating at 10/1000us: 42 joules

See ELECTRONIC FILES for CAD files (.DXF, .DWG, MS-DOS.EPS) on disk



For ELECTRONIC Typical Specs see (.TXT) file on disk.

WARRANTY INFORMATION

- Two-year limited product warranty.

DESIGN CONSIDERATIONS

- Three DC power connectors.
- "Foldback" function automatically limits the output current protecting connected devices from overloads and short-circuit overloads. If the draw on the DC output increases to 105%-150% of nominal current, the current will be limited to 833 mA.
- One green LED indicates DC output is present.
- Efficient circuitry operates at a low temperature.
- Easily installed using wire nuts to connect the incoming line, neutral and ground.
- Drops into knockouts located on the bottom panel of Leviton's Series 140, 280 and 420 Structured Media enclosures.
- Includes three 48" connector cables.

TYPICAL SPECIFICATION

The Universal Mini DC Power Supply shall meet all applicable standards: UL 1950, cULus listed, C-Tick, CE, NOM, ACA and China. It must conform to normalized site attenuation limits and construction specifications (EMI/RFI filtering). It will feature three 12V DC output connectors and a "foldback" surge protection feature for overload protection and short circuit overload protection. The power supply shall fit into Leviton's Series 140, 280 and 420 Structured Media enclosures and operate at a low temperature. The manufacturer shall provide a two-year limited product warranty.



For Technical Support Call 1-425-485-4288; in USA call 1-800-824-3005
Spec sheets and updates are also available at www.levitonvoicedata.com.

2222 - 222nd St. SE • Bothell, WA 98021 USA

Tel: 1-800-722-2082 / 1-425-485-4288 • Fax: 1-425-483-5270 • Int'l Fax: 1-425-485-9170 • GSA Schedule Available.



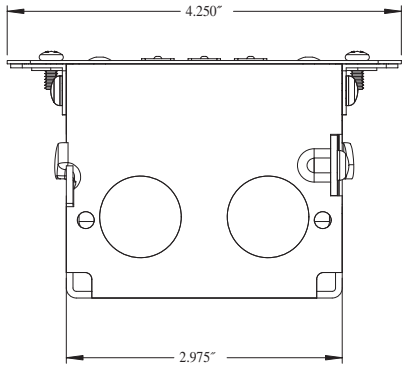
Universal Mini DC Power Supply

**Part Number
47605-PSB**

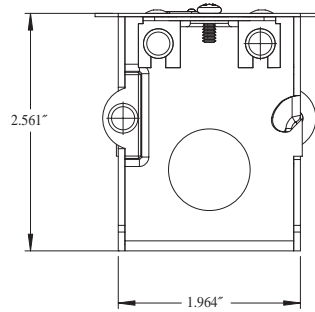
.....

DIMENSIONAL LINE ART

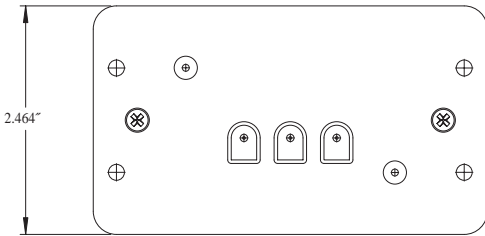
See ELECTRONIC FILES for CAD images
(.DXF, .DWG, MS-DOS.EPS)



Side View



End View



Top View

PART NUMBERS

Description	Part No.
Universal Mini DC Power Supply	47605-PSB



For Technical pSupport Call 1-425-485-4288; in USA call 1-800-824-3005.
Spec sheets and updates are also available at www.levitonvoicedata.com.



2222 - 222nd St. SE • Bothell, WA 98021 USA • Tel: 1-800-722-2082 / 1-425-485-4288 • Fax: 1-425-483-5270 • Int'l Fax: 1-425-485-9170

