

NHR-SP

Duty Station



DESCRIPTION:

The NHR-SP Duty Station for the CommuniCare system provides tone and LED annunciation for any call placed from a patient's room, bathroom, or common area call station.

Flush mounted into a standard 2-gang box, the duty station allows the call tone to be heard in an area away from the master station, such as a break room, work room, or hallway.

The NHR-SP is equipped with a TONE OFF button and CALL LED indicator. One Duty Station can be used per system.

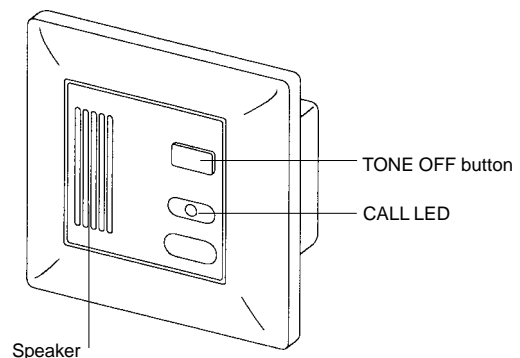
OPERATION:

When any call is placed on the system, the call LED will blink and the call tone will sound at the same rate as on the master station. Urgent level calls will override routine calls.

To silence the tone, press the TONE OFF button. When a new call is placed on the system, the tone will be heard again.

FEATURES:

- **Compact flush mount design**
- **TONE OFF button**
- **CALL LED indicator**
- **Speaker for call tone**



ARCHITECTS/ENGINEERS SPECIFICATIONS:

Duty station shall be Aiphone model NHR-SP, constructed of high-impact ABS plastic, with speaker, TONE OFF button, and red CALL LED.

A call from a bedside station shall annunciate a slow intermittent tone on the duty station, and a slow blinking LED. A call from a bathroom station shall annunciate a faster intermittent tone and faster blinking LED. If a bedside call cord is pulled out, the tone and light shall be heard and seen at an even faster rate.

Pressing the TONE OFF button shall mute the call tone at the duty station. If the call is not answered or reset within 90 seconds, the tone shall resume. If TONE OFF is pressed again, tone shall not resume until the next call is placed on the system. The CALL LED shall remain lit as long as there are any unanswered calls on the system.

Wiring to CCU shall not exceed 3 twisted pair with an overall shield. Cable size greater than 22AWG shall not be acceptable.

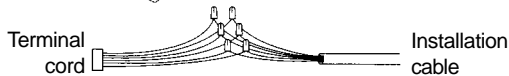
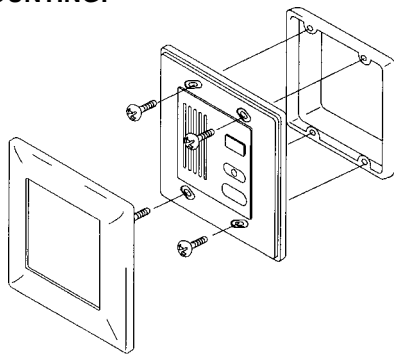
Physical size of the duty station shall not exceed 4-3/4" high by 4-9/16" wide, and shall flush mount into a standard 2-gang electrical box.

Equipment shall be UL 1069 listed, and system components shall be provided by a manufacturer having ISO 9001 certification for quality standards.

CONTROLS AND INDICATORS:

- TONE OFF button
- Red CALL LED indicator

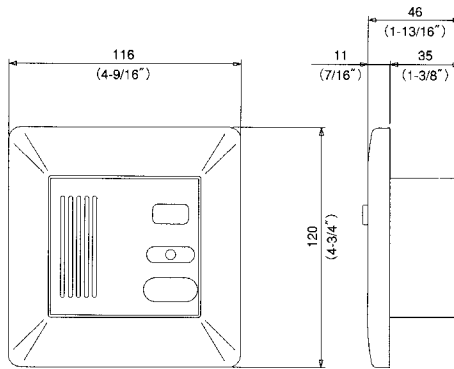
MOUNTING:



SPECIFICATIONS:

Power source:	Provided by NHX-80X
Controls:	TONE OFF button to mute call tone
Capacity:	One (1) per system
Wiring:	3 twisted pair shielded low capacitance cable (12 pF/Ft) from NHX-80X Aiphone #862208
Wiring Distance:	65' w/22AWG from NHX-80X
Material:	High impact ABS fire-retardant plastic
Color:	White
Dimensions (H x W x D):	NHR-SP 4-1/2" x 4-9/16" x 1-13/16"
Certification:	UL 1069 Listed C-UL Canadian Standard C22.2

Product specification subject to change without notice.



NHR-SP-SS 95367 0797
Printed in USA