

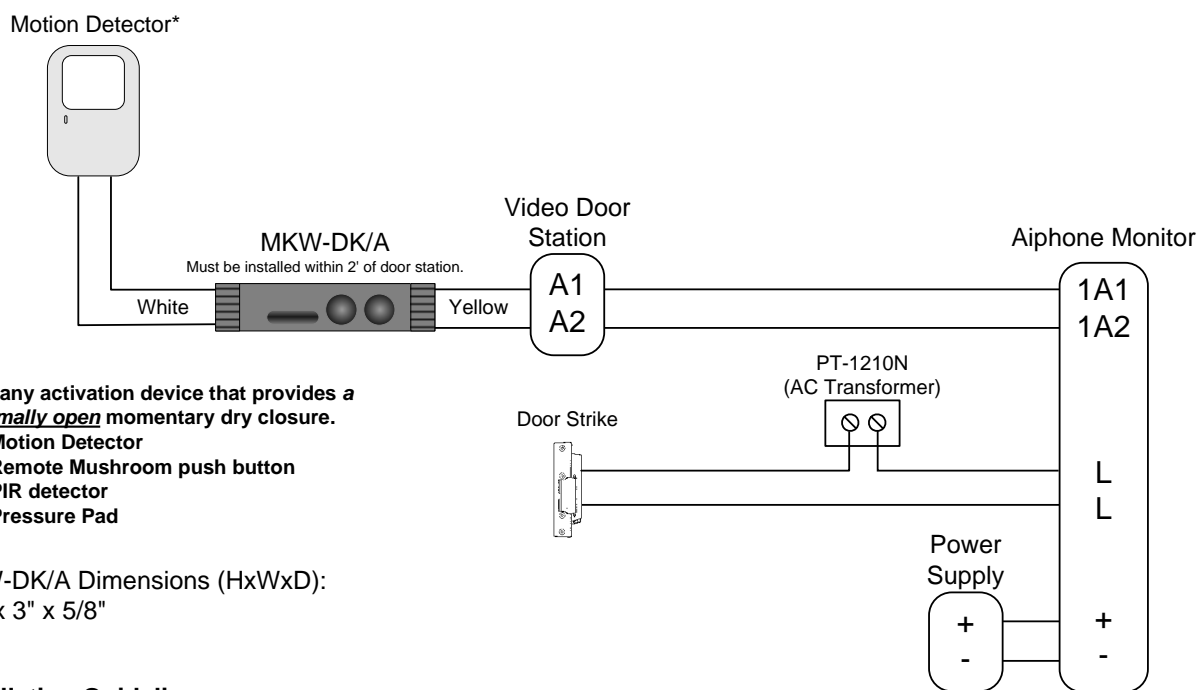
MKW-DK/A

Remote Activation Interface Adaptor for Video Door Stations

- INSTRUCTIONS -

The MKW-DK/A Adaptor allows any standard *motion detector or activation device with a normally open contact* to be interfaced with any 2-wire Aiphone Video Door Station (except KB-DAR). When the activation device is tripped, the camera will turn on, and a chime (or tone) will be heard at the inside monitor station(s), indicating that there is some activity near the door station location.

WIRING DIAGRAM:



* Use any activation device that provides a **normally open** momentary dry closure.

- Motion Detector
- Remote Mushroom push button
- PIR detector
- Pressure Pad

MKW-DK/A Dimensions (HxWxD):
 5/8" x 3" x 5/8"

Installation Guidelines:

1. The motion detector must provide a **normally open momentary contact**. A Photoelectric beam, pressure pad, or remote call button can also be used to activate the video door station.
2. MKW-DK/A must be installed within 2 feet of video door station. The unit is not weather proof, so it should be installed in a protected enclosure, preferably in the box behind the video door station.
3. The MKW-DK/A can be used to connect a motion detector to all MK, MY, KA, KC, JA, JB and JF series video door stations.
4. The above diagram is representative of the installation of the MKW-DK/A to an Aiphone video system. Terminal designations on the monitor/adaptor will vary slightly depending on the system being installed.
5. The MKW-DK/A is not compatible with the KB-DAR. Contact Aiphone for information on model KB-DAR-M (KB-DAR with input for remote activation).

Note:

For complete system installation, please refer to the instruction manuals included with the video system.

TOLL FREE TECHNICAL SUPPORT: