

# SSP-371(3) SERIES

## Stainless Steel, Vandal Resistant, Rugged Telephones Built to Last

The CEECO 371 Series stainless steel panel telephones are designed for Elevators, Kiosks, ATMs, and other customer service locations that require a recessed flush mount phone. The SSP-371 Series is equipped with a durable stainless steel case and metal button tone dial (F model.) The hookswitch is a sealed magnetic reed type and is actuated by a magnet in the handset when placed in its cradle. The telephones can be mounted in the optional mounting box and frame or customer designed mounting. The SSP-371 design offers telephone solutions for unique applications that require recessed mounting while providing durable communication built to last.



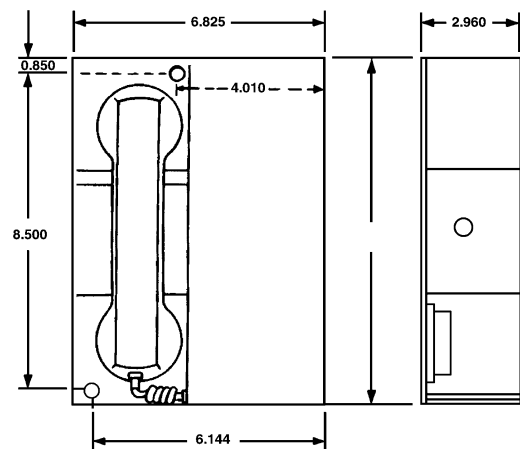
### FEATURES

- Vandal Resistant, Stainless Steel Construction with Security Hardware
- Recess Mount Panel Telephone
- Magnetic Hookswitch and Handset
- Available in Autodial, Ring-down, Keypad (Dial), and Dial with Call Restrictions
- Available in Analog and VoIP
- Line Powered
- 1 Year Warranty



### MODELS

- IP-** Voice over Internet Protocol Version.
- SSP-371-D** Stainless steel panel telephone with ATD-11 single number automatic dialer and 5' magnetic coiled cord handset
- SSP-371-F** Stainless steel panel telephone with chrome tone dial and 5' magnetic coiled cord handset
- SSP-373-F** Stainless steel panel telephone with chrome tone dial, 5' magnetic coiled cord handset, and call restriction and speed dial capability
- SSP-371-X** Stainless steel panel telephone for manual ring-down operation with 5' magnetic coiled cord handset
- BR** Equipped with Braille emergency plate.
- 371-011** Mounting Box (requires mounting frame)
- 371-012** Mounting Frame
- 301-037** Security tool, required for installation.



*Providing Telecommunication Solutions Since 1930*

Communication Equipment  
& Engineering Company

<http://www.ceeco.net>  
Email: [sales@ceeco.net](mailto:sales@ceeco.net)

519 SW Park Street  
Okeechobee, FL 34972  
Voice 863-357-0798  
Fax 863-357-0006

# SPECIFICATIONS

PRODUCT MANUALS WITH FULL FEATURES AND FUNCTIONS AVAILABLE UPON REQUEST

## SPECIFICATIONS

INPUT POWER:	C.O. Line Powered
LOOP CURRENT:	23ma min to 80ma max
IMPEDANCE:	600 ohms
SIGNALING: DTMF:	70ms tone, 50ms spacing
HEARING AID COMPATIBLE:	Meets EIA standards
ENVIRONMENTAL:	Temperature: -30°C (-22°F) to 90°C (194°F) Humidity 0%-90% non-condensating
TELEPHONE COVER:	16 ga. Stainless Steel
DIMENSIONS:	6 7/8" W x 9 3/4" H x 3" D (handset on hook)
MOUNTING:	Recess Surface Mount
WEIGHT:	SSP-371-D or X 4 lbs. SSP-371-F 6 lbs
UL LISTED NO.:	6OF5
RINGER EQUIVALENCY:	0.4A
TYPE JACK:	RJ11C



## WARRANTY POLICY

### GENERAL

CEECO guarantees its products to be free from defects in material and workmanship for a period of 365 days from the date of original purchase. CEECO's obligation under this warranty is limited to repair or replacement of any part found to be defective by CEECO.

UNDER NO CIRCUMSTANCES shall CEECO be liable for loss, damage, cost of repair or consequential damages of any kind, which have been caused by neglect, abuse or improper operation of equipment.

CEECO will repair or replace any unit during this period if found to be defective for reasons other than abuse and improper use or improper installation. It is the buyer's responsibility to return the defective unit to the factory. CEECO will then repair or replace any defective parts and return them to the buyer free of charge. CEECO will continue to offer repair service for the life of the product.

## REPAIR POLICY

### WARRANTY REPAIR

Any device returned requiring warranty service, repair or credit must be accompanied with a "Return Material Authorization" (RMA) Form. It must include: RMA Number, return shipping instructions, original purchase order number, serial number and special marking instructions. A tag with the trouble observed must be attached to the defective unit. This information must be inside the shipping container.

### NON-WARRANTY REPAIR

CEECO will repair equipment out of warranty for a set charge plus parts. The customer must pay the shipping costs both directions.

*CEECO has been providing telecom solutions since 1930. Our vandal resistant technology focuses on providing public communication solutions while reducing replacement and repair costs, lowering the customer's total cost of ownership. CEECO also offers custom design and branding to your specifications. Our commitment to providing expert service and support extends beyond the warranty of our product.*

*We offer service for the life of the product!*

*CEECO is devoted to giving you the quality and service you deserve.*

**Providing Telecommunication Solutions Since 1930**



Communication Equipment  
& Engineering Company

<http://www.ceeco.net>

Email: [sales@ceeco.net](mailto:sales@ceeco.net)

519 SW Park Street

Okeechobee, FL 34972

Voice 863-357-0798

Fax 863-357-0006