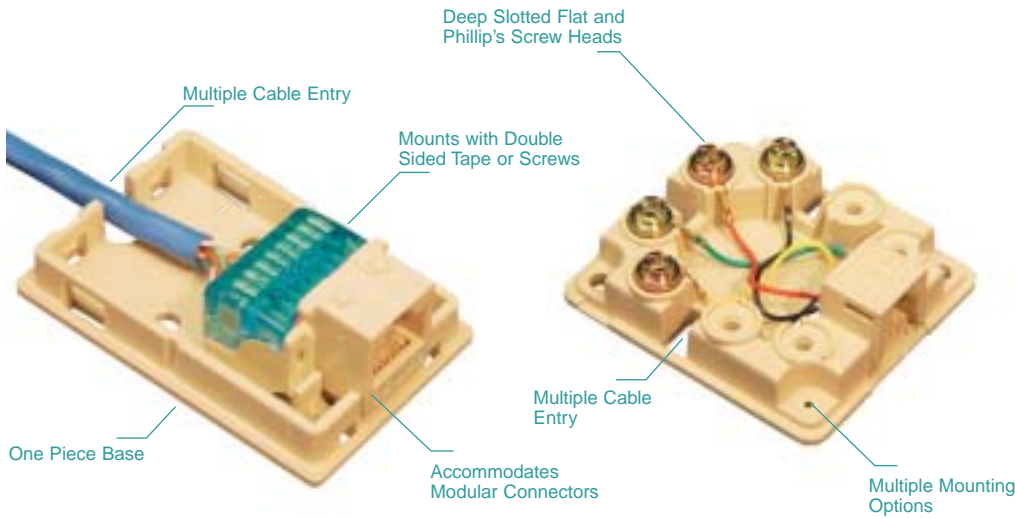


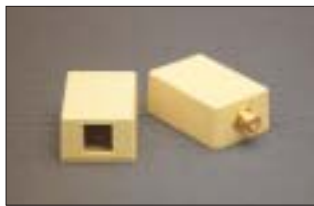


Surface Mount Boxes & Jacks *Custom Solutions*



Installation Benefits

- Easily Configurable with a Simple Snap Together Assembly
- Mounts on Most Surfaces with Adhesive, Magnets or Screws
- Surface Mount Jack with Integrated Voice Comes with a Wiring Chart Molded Under the Cap for Easy Installation



IC107SB1xx*

Surface Mount Box

Box style design accommodates modular connectors and a recess for ID labels.

PART NUMBER	DESCRIPTION
IC107SB1xx*	1-Port
IC107SB2xx*	2-Port

*xx = IV, WH



IC625SB4xx*

Patented

Surface Mount Jack

Surface mount jack is integrated with voice and with a wiring chart molded under the cap. Jack is available with shorting bars on conductors 1-4 and conductors 5-8 (RJ-31X) and designed to mount on a wall or other flat surface with mounting screws and double-sided mounting tape.

PART NUMBER	DESCRIPTION
IC625SB4xx*	6 Position 4 Conductor
IC625SB6xx*	6 Position 6 Conductor
IC625SB8xx*	8 Position 8 Conductor
IC625DS4xx*	8 Position 4 Conductor with Shorting Bar
IC625DS8xx*	RJ31X 4 Conductor with Shorting Bar

*xx = IV, WH



IC635DS4xx*

Surface Mount Jack

Surface mount jack is integrated with voice and is available with shorting bars on conductors 1-4 and conductors 5-8 (RJ-31X). They are often used with security systems or similar applications and mount on a wall or other flat surface with mounting screws and double-sided mounting tape.

PART NUMBER	DESCRIPTION
IC635DS4xx*	8 Pos. 4 Cond. with Shorting Bar
IC635DS8xx*	8 Pos. 8 Cond. with Shorting Bar

*xx = IV, WH

