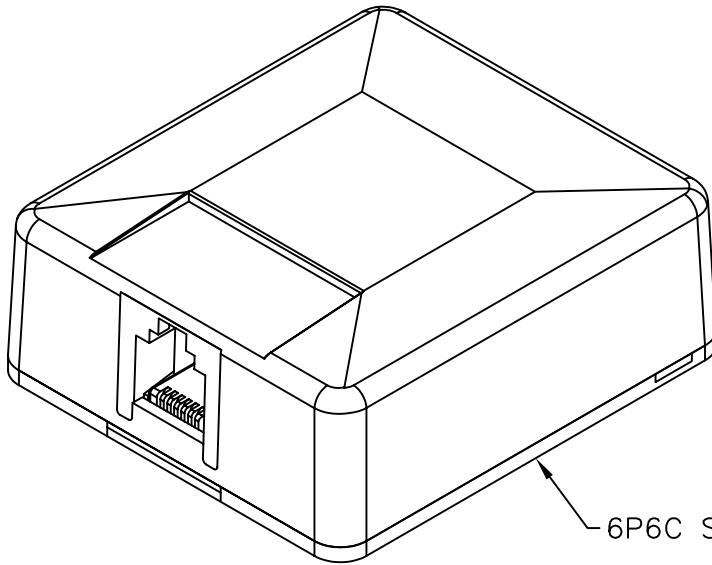


6P6C Surface Mount Jack

PRODUCT SPECIFICATION

Package includes:

- A. Surface Mount Jack Cover, 1 pc
- B. Surface Mount Jack Base, 1 pc
- C. Double Sided Adhesive Pad, 1 pc
- E. #6 x 3/4" Pan Head, Sharp Point Tapping Screw, 2 pcs



6P6C Surface Mount Jack

Features and Benefits:

- Provides a clean modular surface mount outlet solution for voice connectivity applications
- Designed to support a multitude of high tech communication needs for residential or commercial applications
- Provided with traditional screw down terminals
- Multiple mounting options including adhesive backing and screws
- Rugged and durable construction
- Available in ivory and white
- UL listed

SURFACE MOUNT JACK, 6P6C

ITEM NO.	IC625SB6XX
DWG NO.	PS625SB600

REV.	A
PAGE NO.	1



CUSTOMER CARE / TECHNICAL SUPPORT * CSR@ICC.COM / 888-ASK-4-ICC (275-4422) * 14700 Alondra Blvd., La Mirada, CA 90638 * www.icc.com

