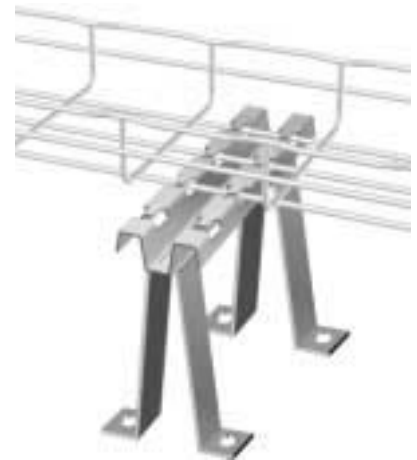
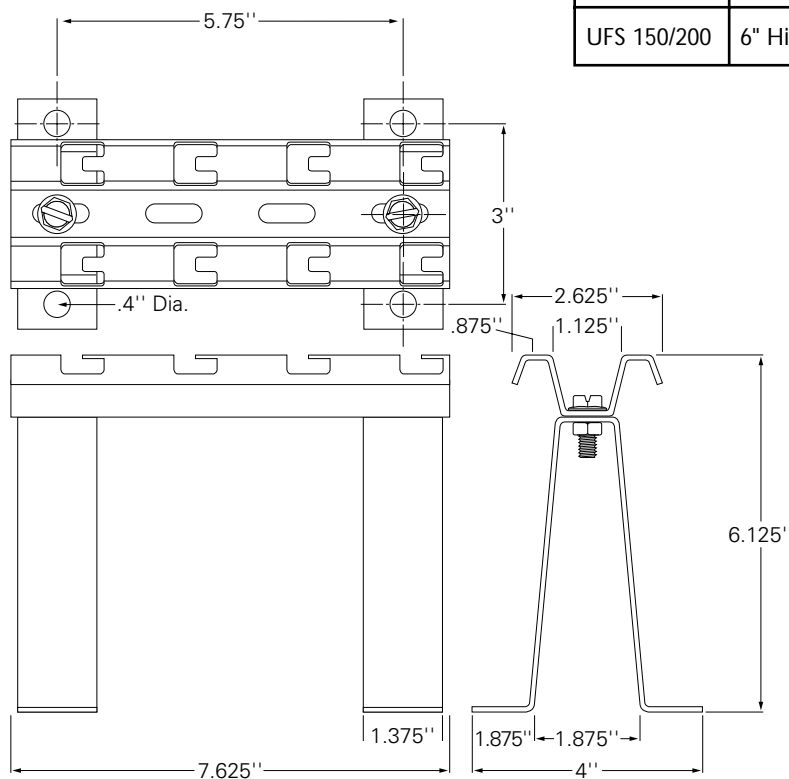


UFS 150 Under Floor Support Stand

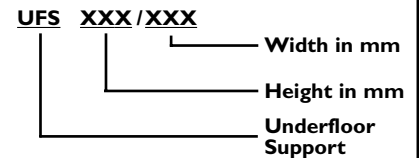
- Predrilled mounting holes.
- Patented FAS style attachment secures tray without nuts and bolts.
- Use a single support for narrow tray widths – [up to 12"] use 2 for wider tray.
- Corrosion resistant pre-galvanized finish.



Part #	Description	lb.	Pk. qty.
UFS 150/200	6" High Under Floor Support Stand	1.3	1



Our part number makes it easy to identify tray size and finish.



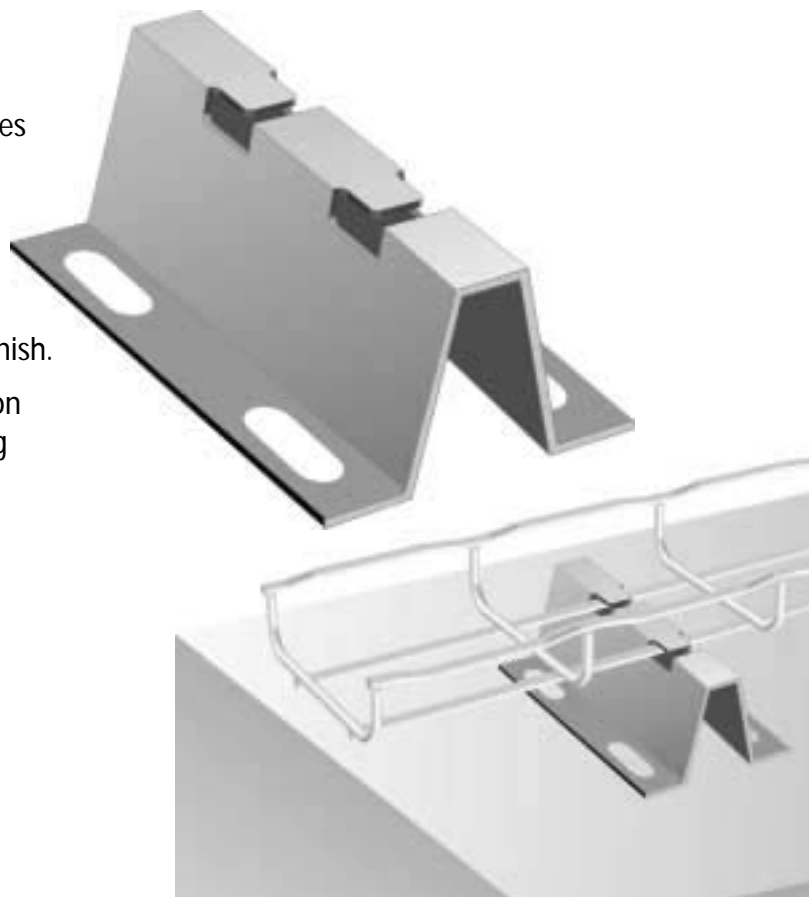
CABLOFIL
INNOVATORS IN CABLE MANAGEMENT

tel 618-566-3230
800-658-4641
fax 618-566-3250
www.cablofil.com

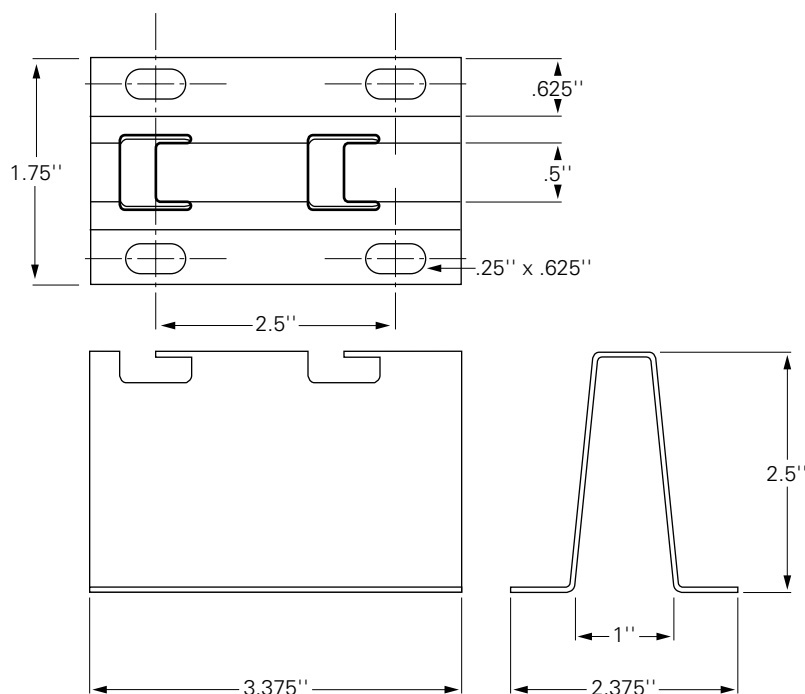
UFS Under Floor Support Stand

EZTray™

- Predrilled mounting holes.
- Patented FAS style attachment secures tray without nuts and bolts.
- Use a single support for narrow tray widths – [up to 6"] use 2 for wider tray.
- Corrosion resistant pre-galvanized finish.
- Can be used as a stand off support on equipment cabinets to avoid covering ventilation fans.



FAS
FAST ASSEMBLING SYSTEM



CABLOFIL
INNOVATORS IN CABLE MANAGEMENT

Part #	Description	lb.	Pk. qty.
UFS 60/100	2" High Under Floor Support Stand	0.2	1

tel 618-566-3230
800-658-4641
fax 618-566-3250
www.cablofil.com