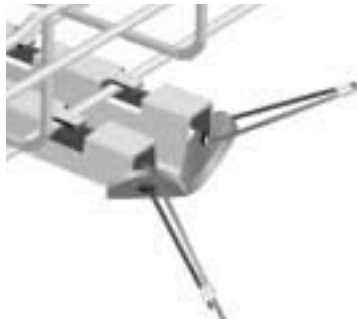
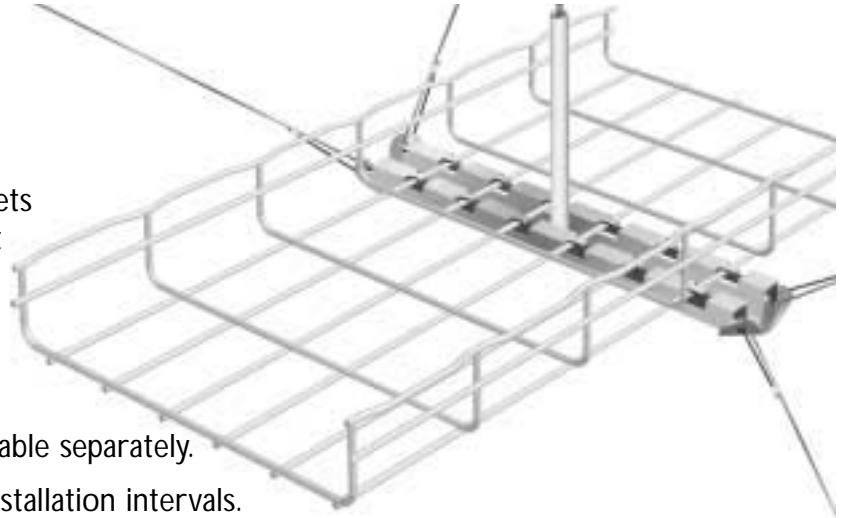


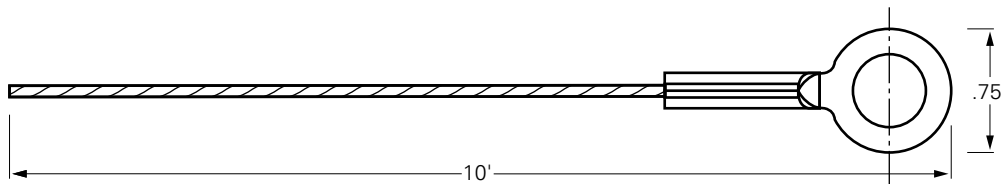
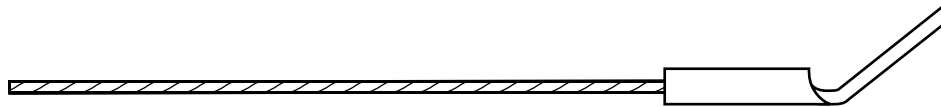
Seismic Cable Bracing Kit

EZTray™

- For Seismic bracing of EZ Tray to concrete deck.
- Each kit contains:
 - 4 - 10' cables with mounting eyelets
 - 2 - Metal brackets for attachment to support members
 - 4 - Cable clamp collars
 - 4 - Concrete bolts
 - All necessary hardware.
- Cable cutter and swager are available separately.
- Consult local codes for proper installation intervals.



Part #	Description	lb.	Pk. qty.
SZMC - Kit	Seismic Bracing Kit	2.3	1
SZMC - Cutr	Cable Cutter	0.7	1
SZMC - Swag	Hand Swager	1.3	1



CABLOFIL INC.

INNOVATORS IN CABLE MANAGEMENT

tel 618-566-3230
 800-658-4641
 fax 618-566-3250
www.cablofil.com

