

Advanced Multimedia Outlet - AMO Series



HUBBELL

Hubbell Premise Wiring

Hubbell's AMO fiber/copper compatible housing provides generous connector capacity for a variety of media. Fiber storage facilities are integral along with plastic surface raceway compatibility for supporting a myriad of multimedia needs.

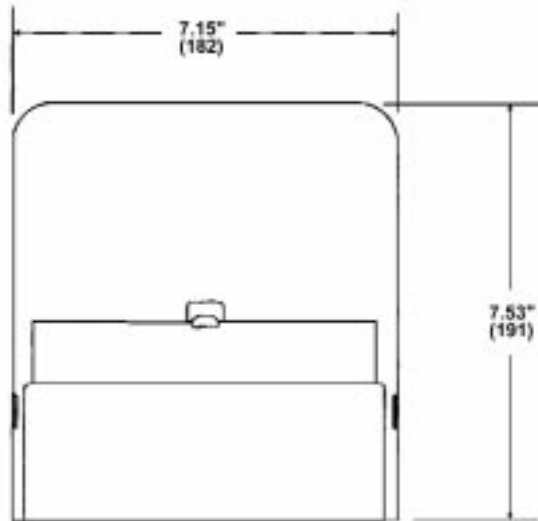
FEATURES

- Compatible with UTP, STP, Coax, and Fiber
- Fiber storage drum to protect bend radius of fiber
- Bottom positioning of connectors with shroud protect connections
- Durable yet attractive housing with securable features
- MT2 raceway compatible
- Hidden label field

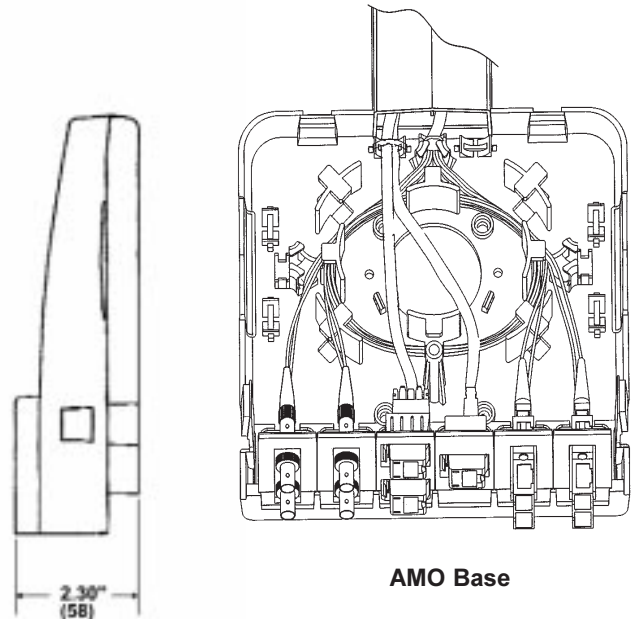
SPECIFICATIONS

- Listed under UL File #E129878
- CSA Certified file #LR80837
- Housing: high-impact, 94 V-0 rated thermoplastic
- Dimensions: 7.15" x 7.53" x 2.30" (182 x 191 x 58mm)

Dimensions



Cover



AMO Base



ORDERING INFORMATION

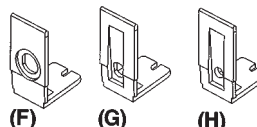
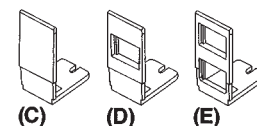
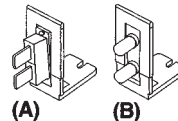
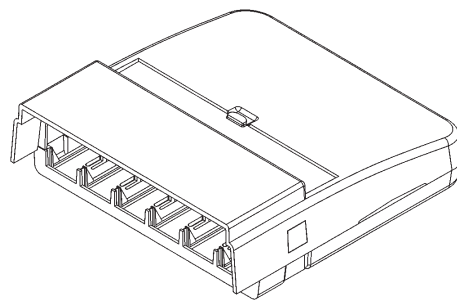
Description	Catalog Number
AMO Base unit housing (6 bracket locations)	AMO12

AMO Brackets - loaded with connectors/adapters

Bracket with 1 SM/MM SC duplex adapter	AMOBSCD (A)
Bracket with 2 SM/MM ST adapters	AMOBST2 (B)

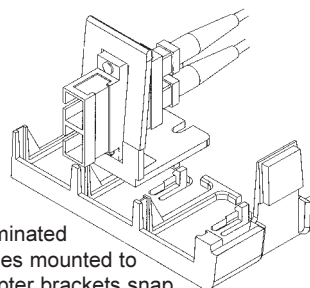
AMO Brackets - unloaded, 10-packs

Blank brackets	AMOBL10 (C)
Single bracket for any HPW jack	AMOBJ10 (D)
Bracket for 2 HD jacks	AMOB2J10 (E)
BNC brackets, 1/2" opening	AMOBBN10 (F)
F connector brackets, 3/8" opening	AMOBF10 (G)
Bracket for solder type RCA connector 1/4"	AMOBRC10 (H)



CONNECTOR OPTIONS

- **HD58** - Cat 5 jacks
- **SHD58** - Shielded Cat 5 jacks
- **HD3** - Cat 3 jacks
- **HD26** - 6-position USOC jacks
- **SFST** - ST fiber
- **FASCMPB6** - SC duplex fiber adapter
- **SFF** - Video coax F-connector
- **SFRC** - Audio RCA adapter
- **MT2** - MediaTrak series raceway



Terminated cables mounted to adapter brackets snap mount onto base.



Hubbell Premise Wiring

HUBBELL INCORPORATED (Delaware)
 14 Lord's Hill Road • Stonington, CT 06378-0901
 800-626-0005 • Fax: (860) 535-8328
 Internet site: <http://www.hubbell-premise.com>

Worldwide Locations

Hubbell Canada Inc.	905-839-1138	Fax: 905-839-9108	Hubbell Incorporated, Middle East	971-4-369763	Fax: 971-4-360541
Hubbell De Mexico, S.A. De C.V.	5-25-575-2022	Fax: 5-25-559-8626	Hubbell S.E. Asia (Pte.), Ltd.	65-4544772	Fax: 65-4544775
Hubbell Premise Wiring, Latin America	305-251-4236	Fax: 305-251-4087	Hubbell Premise Wiring, Asia Pacific	852-2836-7131	Fax: 852-2836-7132
Hubbell Premise Wiring, Europe	44-1234-855444	Fax: 44-1234-856190	Hubbell Int. Inc. Korea Branch	82-2-607-1362	Fax: 82-2-603-7386
Hubbell Incorporated, Turkey	90-216-414-8147	Fax: 90-216-414-8148	Hubbell Taian Co., Ltd.	886-2-2515-0855	Fax: 886-2-2515-0899

