



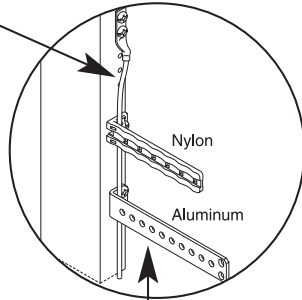
Ground Jumper



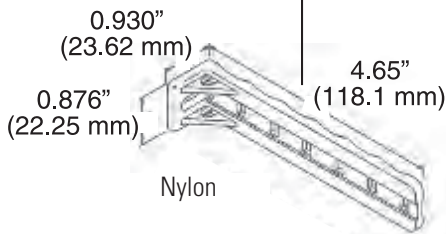
Ground Jumpers provide common grounding from equipment rack or cabinet to the Telecommunications Equipment Bonding Conductor. Can be used with CPI "L" Brackets (P/N 10001-001 or 10559-500) to attach cable run vertically along equipment rack or cabinet. Ground jumpers are constructed of a 9'L (2.7 m) #6 AWG stranded copper conductor insulated green with a horizontal yellow stripe attached to a compression lug with two 1/4" bolt holes spaced on 5/8" centers.

- Available individually or in packages of 10
- Constructed of UL Listed components
- Replaces CPI P/N 41016-00X and 41026-00X
- Other configurations available on request

Shown mounted on rack

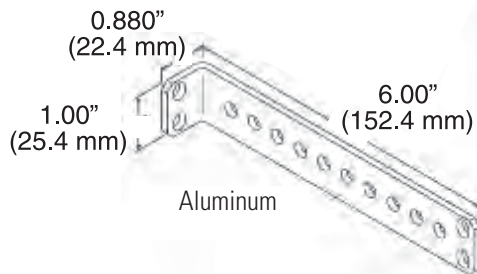


Part Number	Description Length ft (m)	Unit	Shipping Weight lb (kg)
40159-009	9 (2.7) Green Jumper	1	2 (0.9)
40159-019	9 (2.7) Green Jumper	10	20 (9.1)



Stand-Off Tie-Down "L" Brackets

These "L" brackets mount to the back of the rack channel to provide a convenient tie-down point for grounding and bonding cable runs. Available in nonconductive nylon or high-strength aluminum construction. Either end of the aluminum bracket can be attached to the rack or cabinet face, allowing cable run in several different ways.



Part Number	Description W x L in (mm)	Unit	Shipping Weight lb (kg)
10001-001	1 x 5 (30 x 130) White Nylon	1	1 (0.5)
10001-050	1 x 5 (30 x 130) White Nylon	50	3 (1.4)
10559-X00	1 x 6 (30 x 150) Aluminum	1	1 (0.5)
10559-X50	1 x 6 (30 x 150) Aluminum	50	5 (1.4)

X=color: 1=Gray, 2=White, 5=Clear, 7=Black