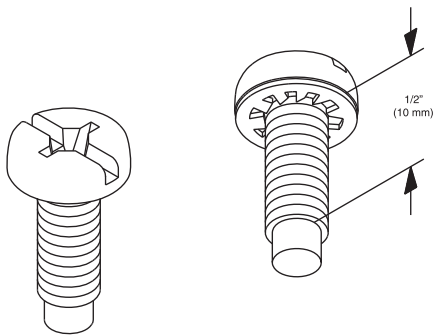


Combination Pan Head, Pilot Point, Mounting Screws

The #12-24 Combination Pan Head, Pilot Point Mounting Screws attach equipment to racks and cabinets. A cutting notch in the thread removes paint in threaded holes to improve metal-to-metal contact. The pilot point reduces cross-threading. The combination head can be used with #3 Phillips and slotted screwdrivers.

- Available in choice of zinc plated or black finish in packages of 50 and 1000

Part Number	Nominal Size	Package Of	Shipping Weight lb (kg)
40605-001	12-24	50	1 (0.5)
40605-004	12-24	1000	9 (4.1)
40605-005	12-24 (Black)	50	1 (0.5)
40605-006	12-24 (Black)	1000	9 (4.1)



Combination Pan Head, Pilot Point, Sems Mounting Screws

Similar to 40605 except includes captive lock washer.

- Zinc plated finish

Part Number	Nominal Size	Package Of	Shipping Weight lb (kg)
40606-001	12-24	50	1 (0.5)