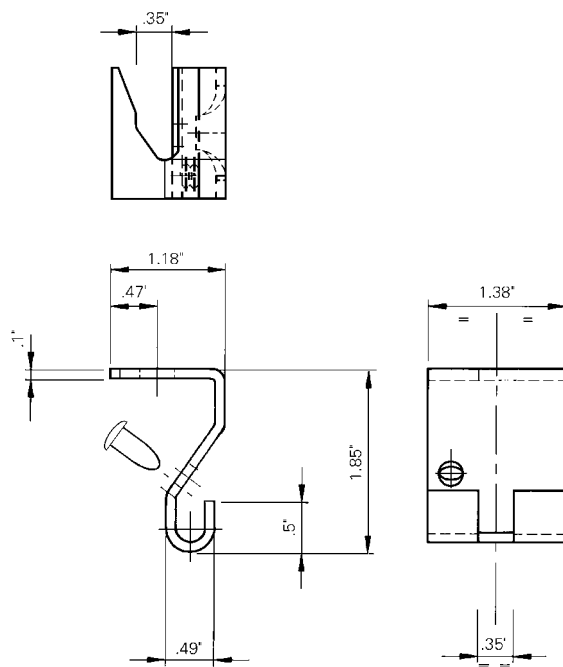
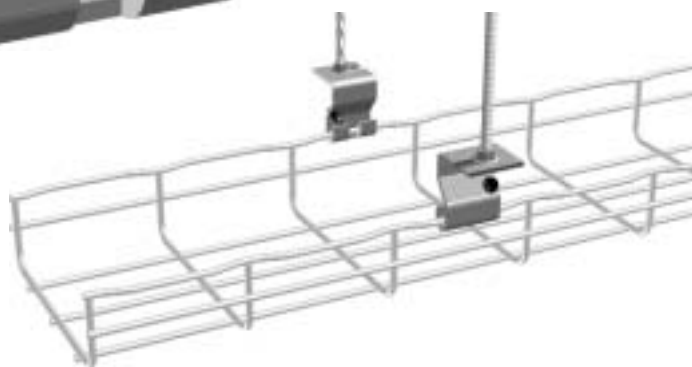
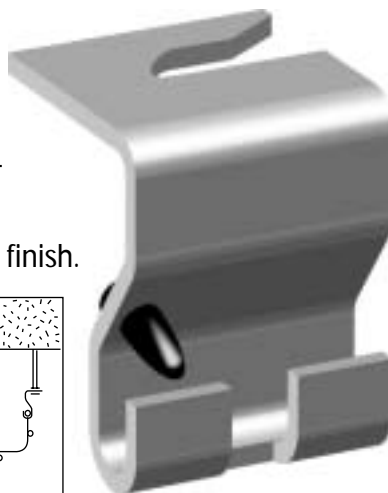
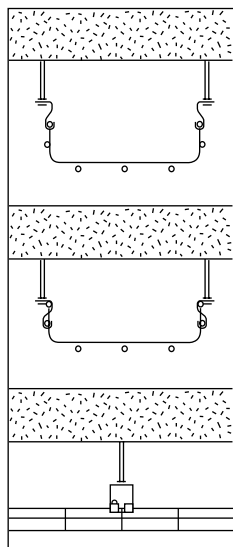


# AS – Trapeze Hanging Clip

**EZTray™**

- For trapeze hung installations.
- Use 1/4" or 3/8" threaded rod.
- Poly grommet retains tray in slot – unsnaps for side loading cables.
- Corrosion resistant pre-galvanized finish.
- Tray can be detached on one side only to add cables. (see illustration)



**CABLOFIL** <sup>INC.</sup>  
 INNOVATORS IN CABLE MANAGEMENT

Part #	Description	lb.	Pk. qty.	Safety load
AS B	Trapeze Hanging Clips	5.5	50	216

\*Note: Accepts either 1/4" or 3/8" threaded rod.

tel 618-566-3230  
 800-658-4641  
 fax 618-566-3250  
[www.cablofil.com](http://www.cablofil.com)