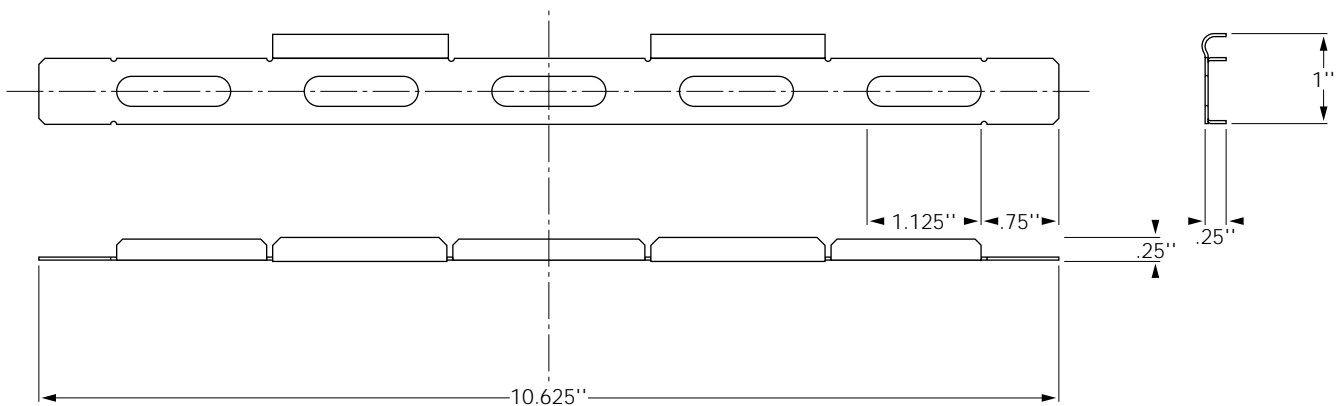
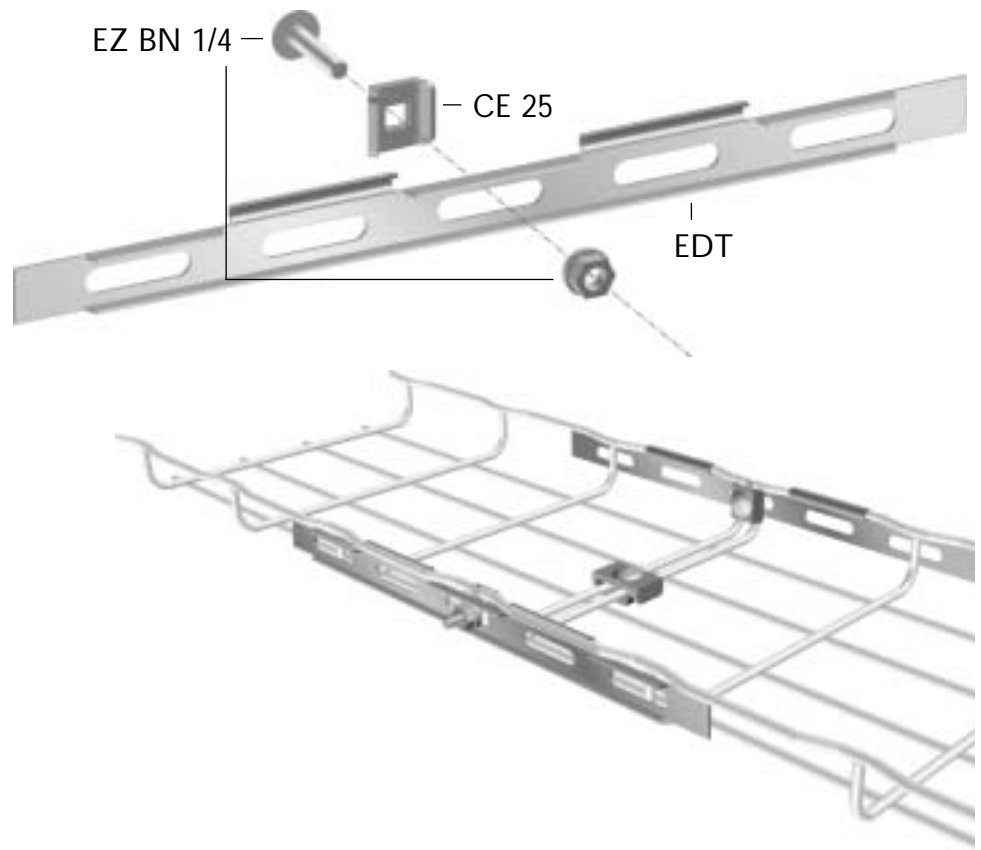


EDT Splice Assembly

EZTray™

- Splices are specially designed to join two sections of CF 30 EZ Tray.
- Other parts needed – EZ BN 1/4, CE 25, and CE 30. (sold separately)
- Electro zinc plated.
- Ideal for CF 30 cable trays.



Part #	Description	lb.	Pk. qty.
EDT EZB	EDT Splice Plate	7.7	50

CABLOFIL ^{INC.}

INNOVATORS IN CABLE MANAGEMENT

tel 618-566-3230
800-658-4641
fax 618-566-3250
www.cablofil.com